



TECHNOLOGY FOR THE FUTURE
NEVER STOP STRIVING FOR THE BETTER

TONG XING GEARS



同興齒輪

<http://www.tongxingcl.com>
www.txgears.cn



福建省同兴汽车同步器有限公司

FUJIAN TONGXING AUTOMOBILE SYNCHRONIZERS CO.,LTD

Add: No.28 Jiulongshan Industry Area Shishi city
Fujian Province China 362700

Contact Information of Overseas Department

Tel: 86-15860592999 86-595-88657789

E-mail: tongxing@tongxingcl.com

eric.hong@tongxingcl.com

<http://www.tongxingcl.com> www.txgears.cn



手机网站/WEBSITE
2025版



公司简介

福建省同兴汽车同步器有限公司、福建省石狮市同兴齿轮有限公司成立于1983年，是中国著名的专业汽车同步器、齿轮生产企业。目前拥有一条1600吨锻造线，数条400吨到1000吨之间的锻造线；高效、高精度的数控机床和检测设备共300多台；两条热处理流水线。公司可实现锻造加工、滚、剃、插、磨、热处理加工等工艺。

公司目前下设4个分厂：齿轮厂、同步器厂及铸造厂，产品主要包括：各类变速箱同步器、差速器齿轮、十字轴、差速器壳体等。品种达600多种，涵盖国内所有卡车系列，日系和欧系等系列。可以根据样品开发农业机械齿轮和工程机械齿轮。

公司不仅是中国汽车工程协会齿轮加工委员会成员，还是中国齿轮行业的骨干。作为AAA企业，公司始终坚持质量为本，诚信第一的理念，通过IATF16949:2016质量体系认证，多次被政府评为“守合同重信用”单位。公司的产品在国内占有很大份额，产品给解放汽车集团整车厂配套的同时还远销欧洲、美国、中东、东南亚、美洲、俄罗斯等国家和地区。

期待同世界各地的朋友合作，共同繁荣，共同兴盛！

主要使用的材料有：20CrMnTiH
齿轮加工的范围及能力：

- ◎模数1至10
- ◎磨齿达到精度等级6级
- ◎剃齿达到的精度等级8级
- ◎最大加工直径400mm
- ◎热处理方式：调质+渗碳淬火



TECHNOLOGY
FOR THE FUTURE
NEVER STOP
STRIVING FOR
THE BETTER



COMPANY PROFILE

Fujian Province Tongxing Auto Synchronizer Co., Ltd and Fujian Shshi Tongxing Gears Co. Ltd are focus on the production of space parts for the aftermarket over 35years a professional company in the field.

Our spare parts are interchangeable with the major manufacturers of heavy duty trucks, buses, light commercial and 4x4 pick up vehicles, medium and heavy duty Japanese applications. New items developing for customized in earthmover and agriculture machines.

There are one forging production line of 1600 tons, several forging production lines from 400 tons to 1000 tons: more than 300 various manufacturing and inspecting equipments with high efficiency and precision; two heat treatment production lines.

Our company can achieve more production process of forging, hobbing, shaving, gear shaping, grinding and heat treatment. There are four factories affiliated to the company, including Gear Factory, Synchronizer Factory and Casting Factory, producing various Transmission Synchronizers; Differential Gears; Cross Spiders; Differential cases and other parts. We produce those parts for various types of domestic trucks, Japanese trucks, European trucks and other famous brands. Moreover, the Agriculture machinery gears and Engineering machinery gears can developing also.

As a member of China Gear Industry Association and China Auto Gear Manufacture Association, our company always focuses on technology and quality. The company is an AAA enterprise, got IATF16949:2016 Quality Management System Certificate and has been awarded as Honest and Faithful Company several times by government. Our products occupy large share of China and we established cooperation relations with FAW Group. Meanwhile, our products become very popular in Southeast Asia, Europe, Middle East, Russia, America and other foreign countries. With superior quality and excellent service, we are ready to offer our products and service to customers of all over the world!

Material: 20CrMnTiH

Scope and Capability of Gear Processing:

- ◎Modulus 1 to 10
- ◎Grade 6 of grinding accuracy
- ◎Grade 8 of accuracy achieved by shaving
- ◎Maximum machining diameter400mm
- ◎Heat treatment: Quenching and tempering+carburizing





02

KEY EQUIPMENT AND PROCESSING CAPACITY 关键设备及加工能力



1600吨锻造线 Forging Line



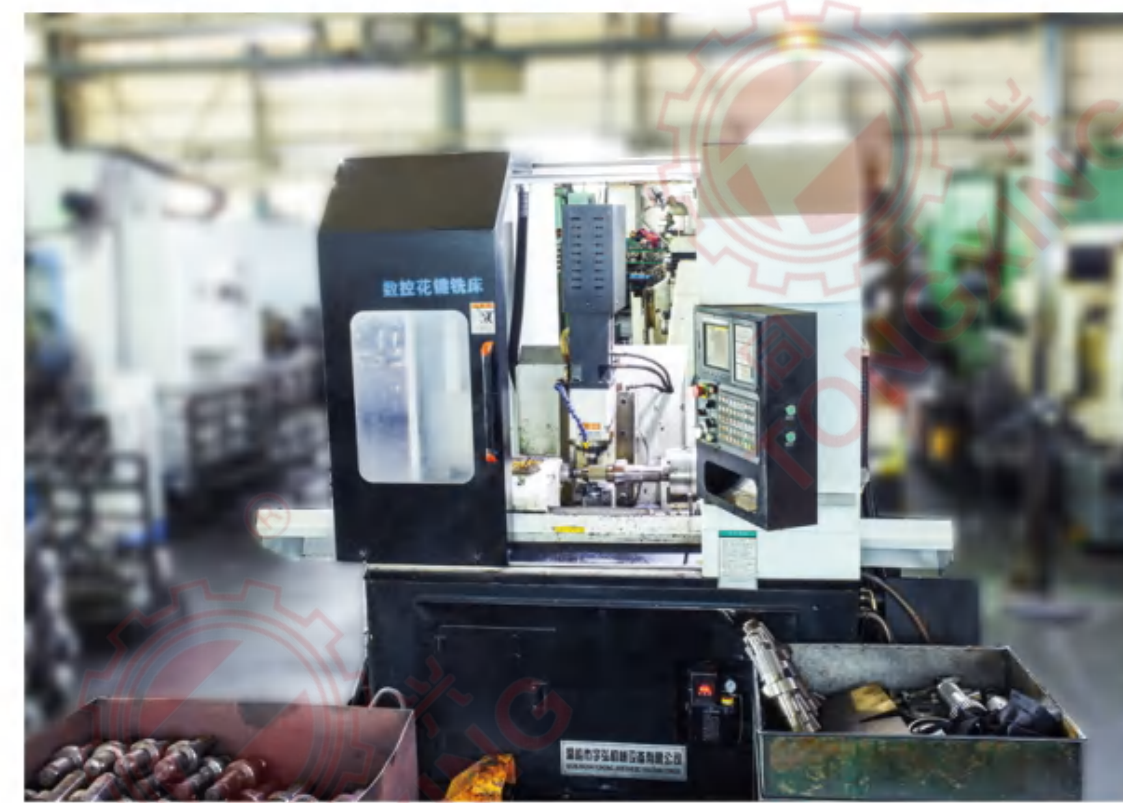
滚齿机 Hobbing Machine.



剃齿机 Shaving Machine



热处理多用炉 Heat Treatment Ipsen



花键铣床 Spline Milling Machine



插齿机 Gear Shaper



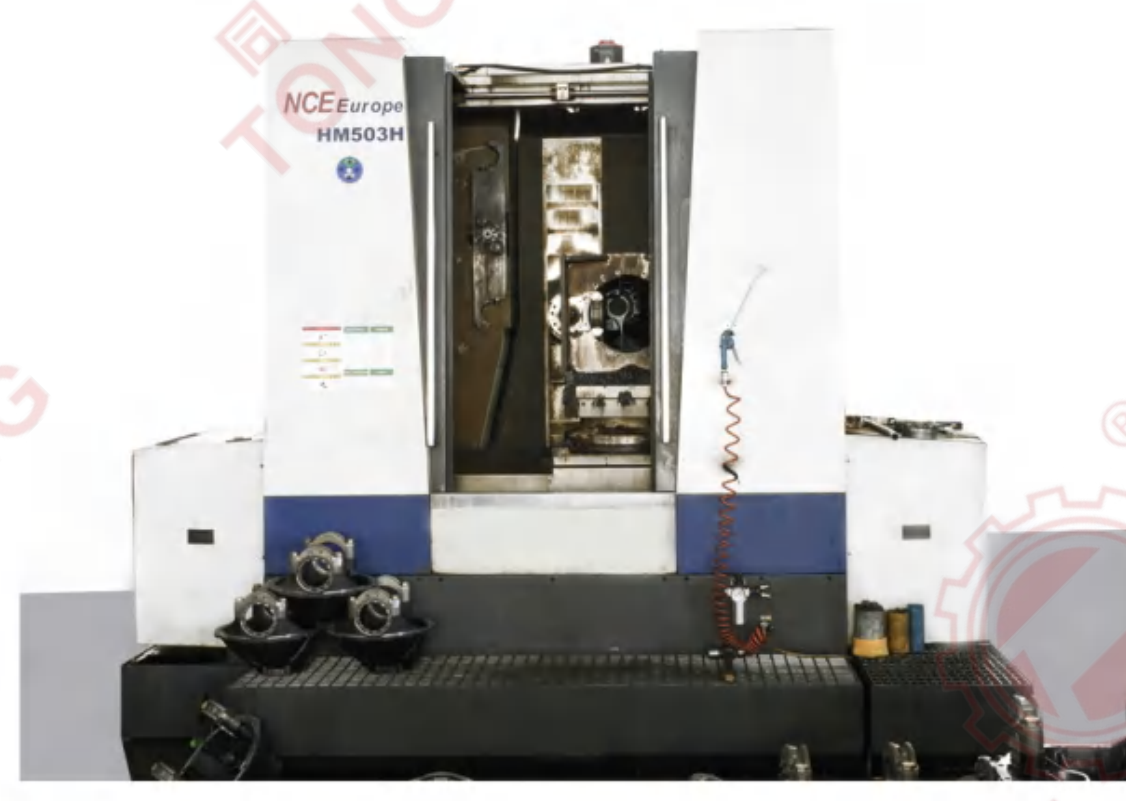
磨齿机
CNC High Efficiency Worm Grinding Machine



车床 Lathe Mazak



立式车床 Vertical Lathe Mazak.



卧式加工中心 Horizontal Machining Center



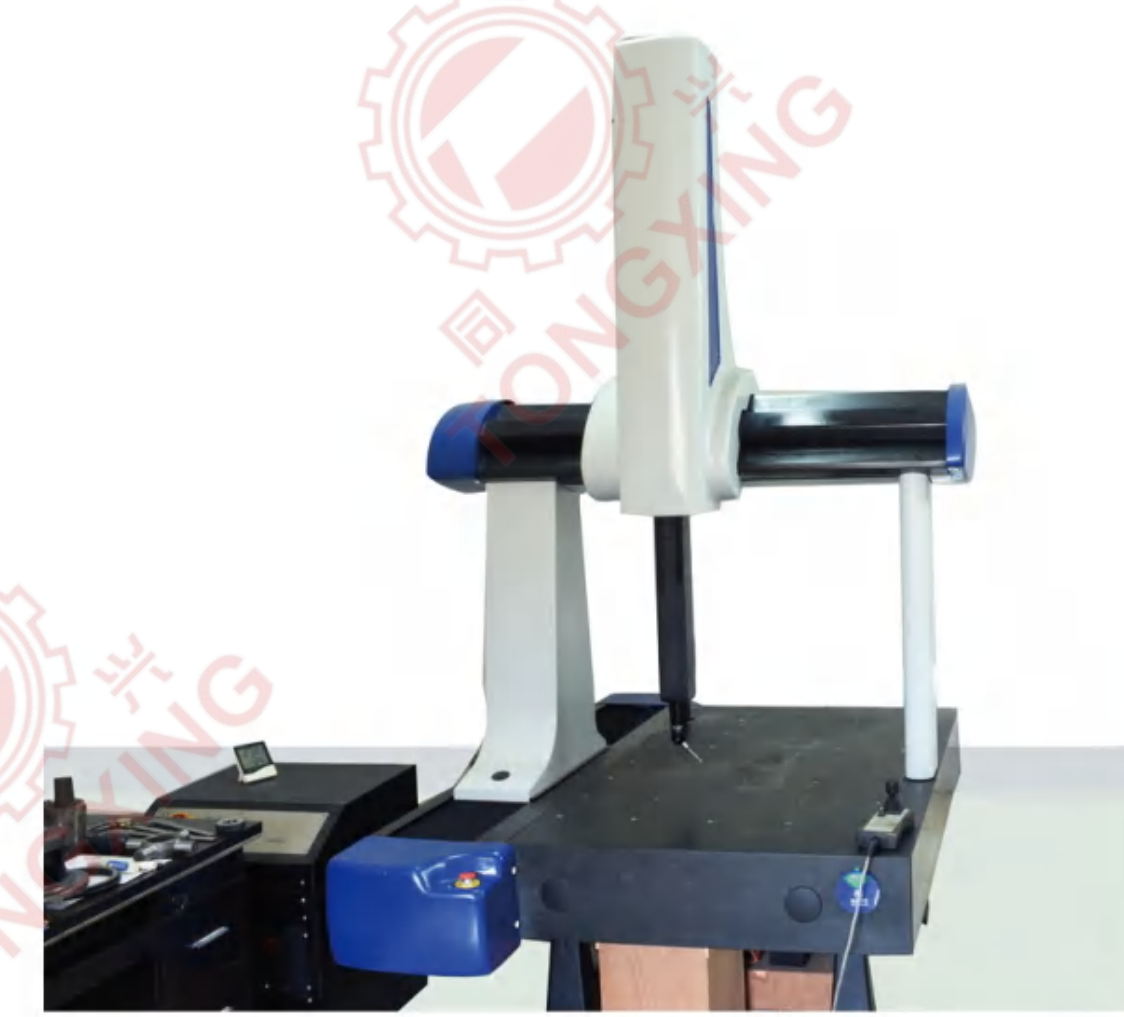
整形压淬炉
Pressure-Quenched Furnace JIUZHENG



热处理连续炉
Continuous Heat Treatment Furnace JIUZHENG

03

QUALITY ASSURANCE ABILITY 质量保证能力



三坐标
Three Coordinates AEH



洛氏硬度仪
Hardness Tester Rockwell



布氏硬度仪
Hardness Tester Brinell



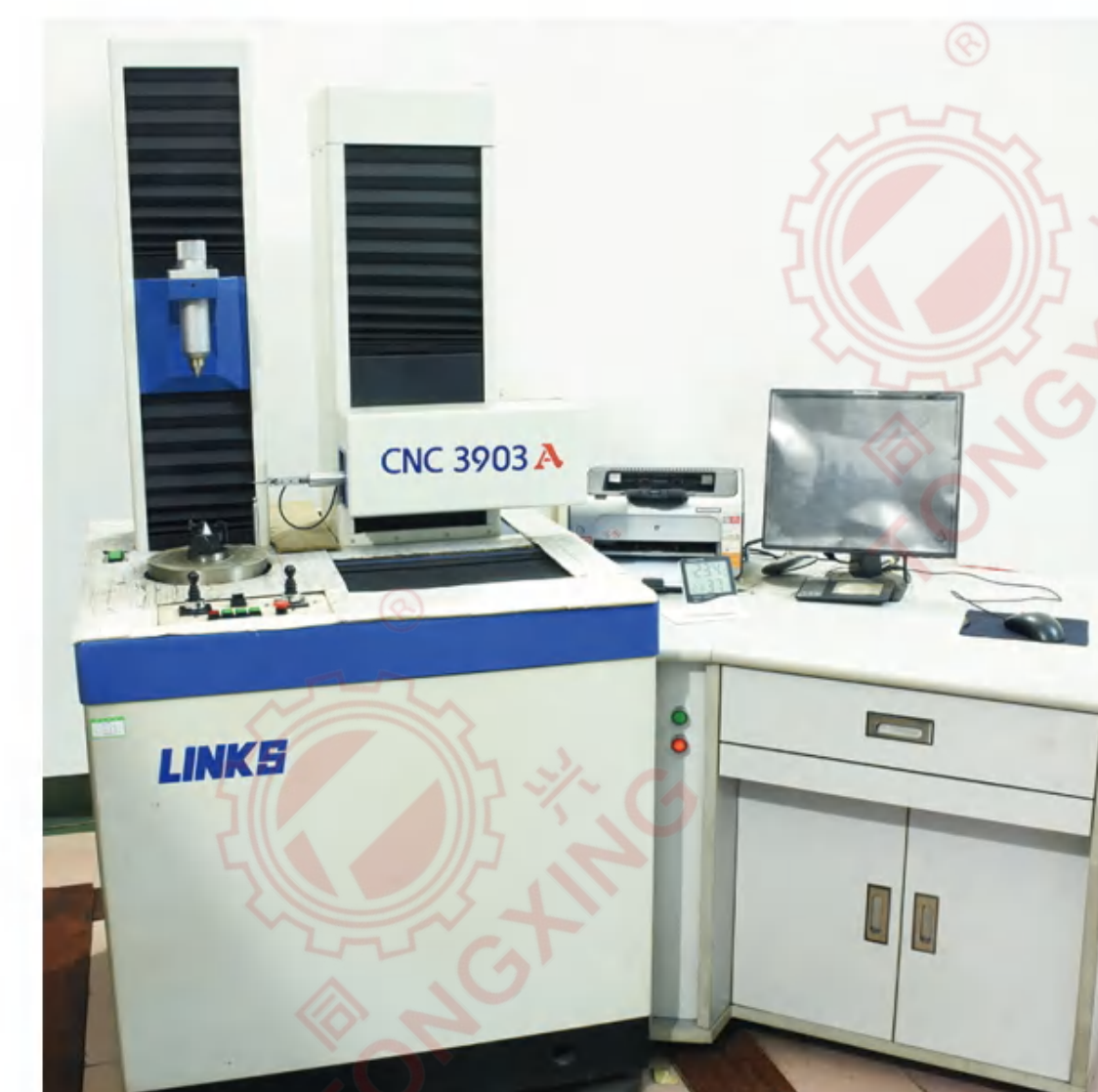
投影仪
Projector



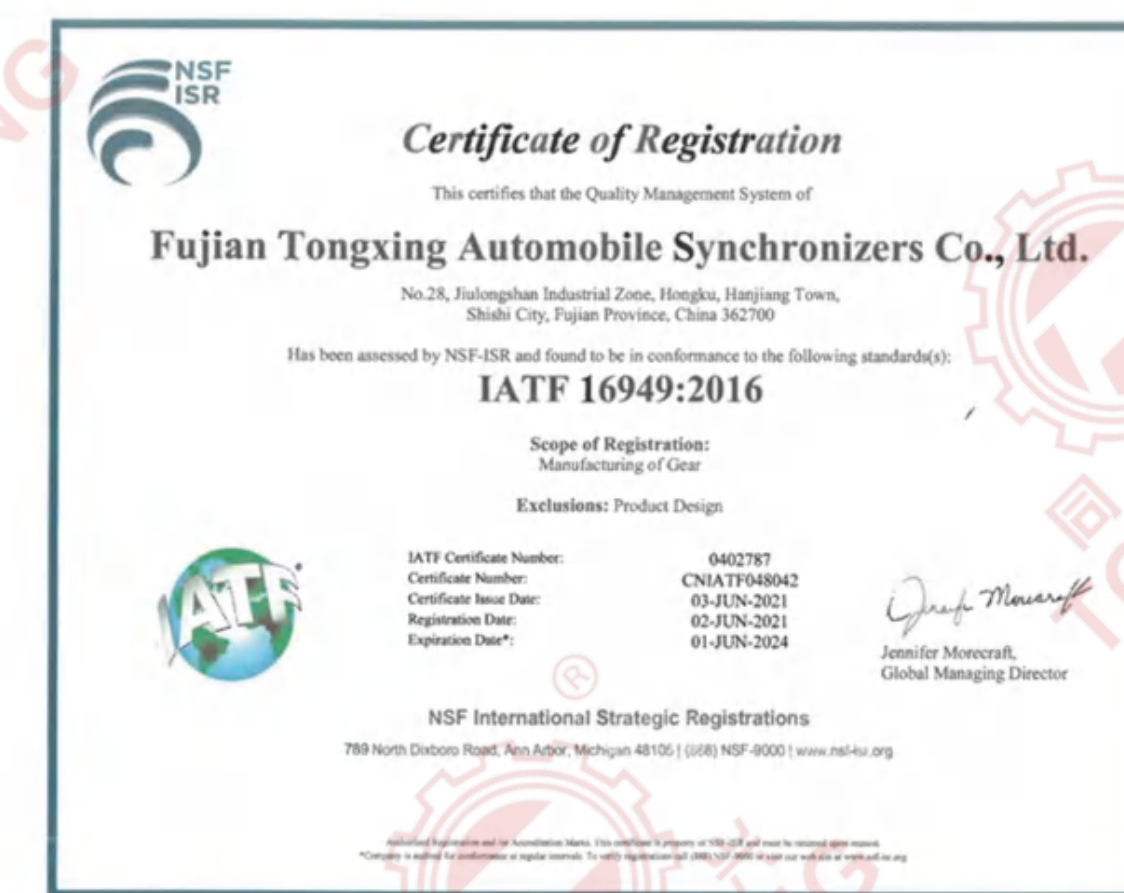
金相分析仪
Metallographic Analyzer



显微维氏硬度计
Microhardness Tester



齿轮检测中心
Gear Inspection Center LINKS CNC3903



IATF 16949: 2016
Certificate of Registration



IATF 16949: 2016
认证证书

福建省同兴汽车同步器有限公司
FUJIAN TONGXING AUTOMOBILE SYNCHRONIZERS CO.,LTD



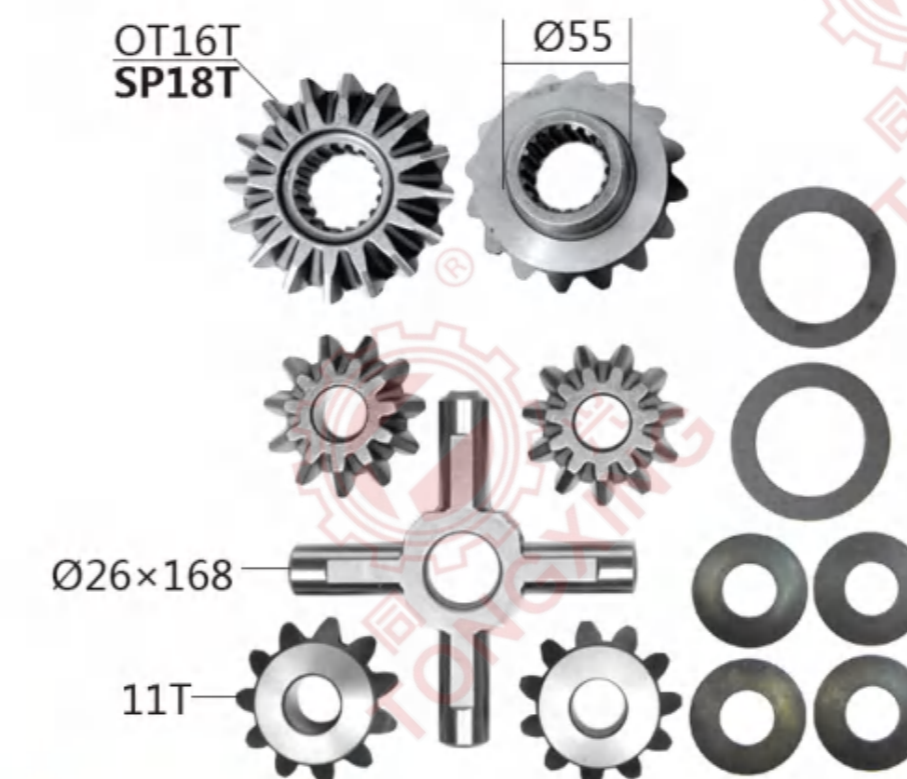
成熟品牌 值得信赖
Mature Brand Trustworthy

DIFFERENTIAL KITS

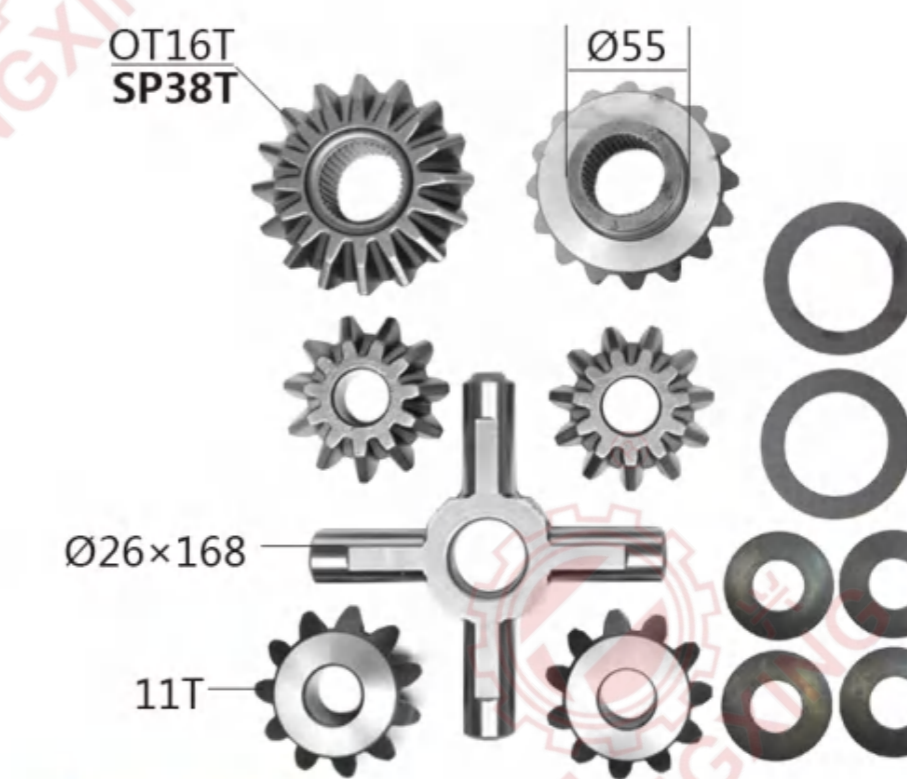
差速器修理包



福建省同兴汽车同步器有限公司
FUJIAN PROVINCE TONGXING AUTO SYNCHRONIZES CO.,LTD.



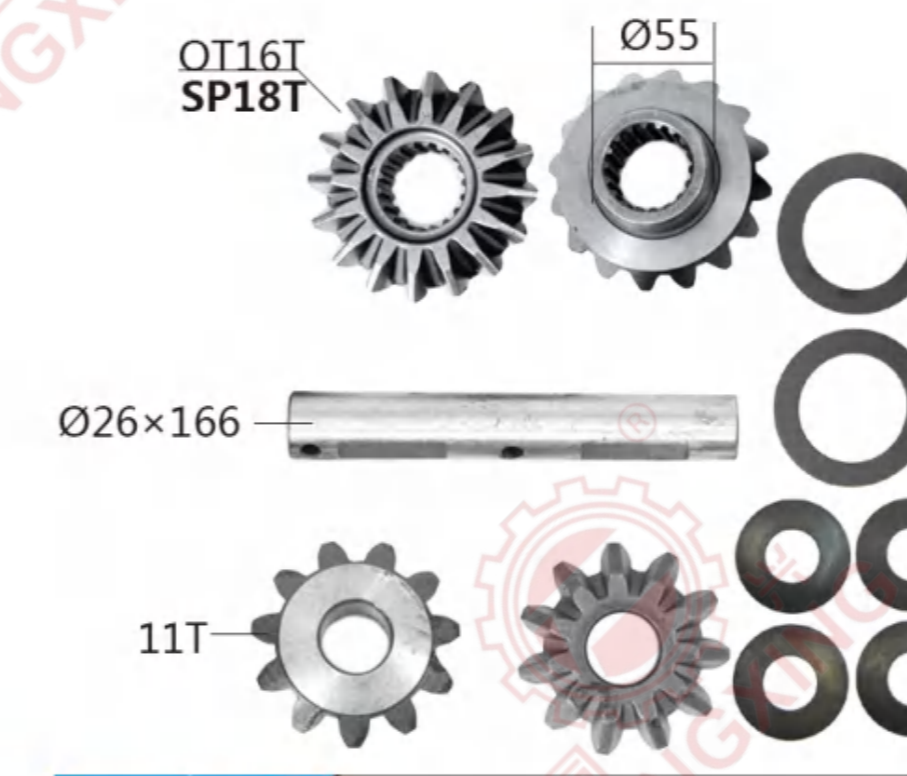
TXZ050 HYUNDAI 2.5TON OLD/PS100



TXZ052 HYUNDAI 3.5TON NEW/PS100



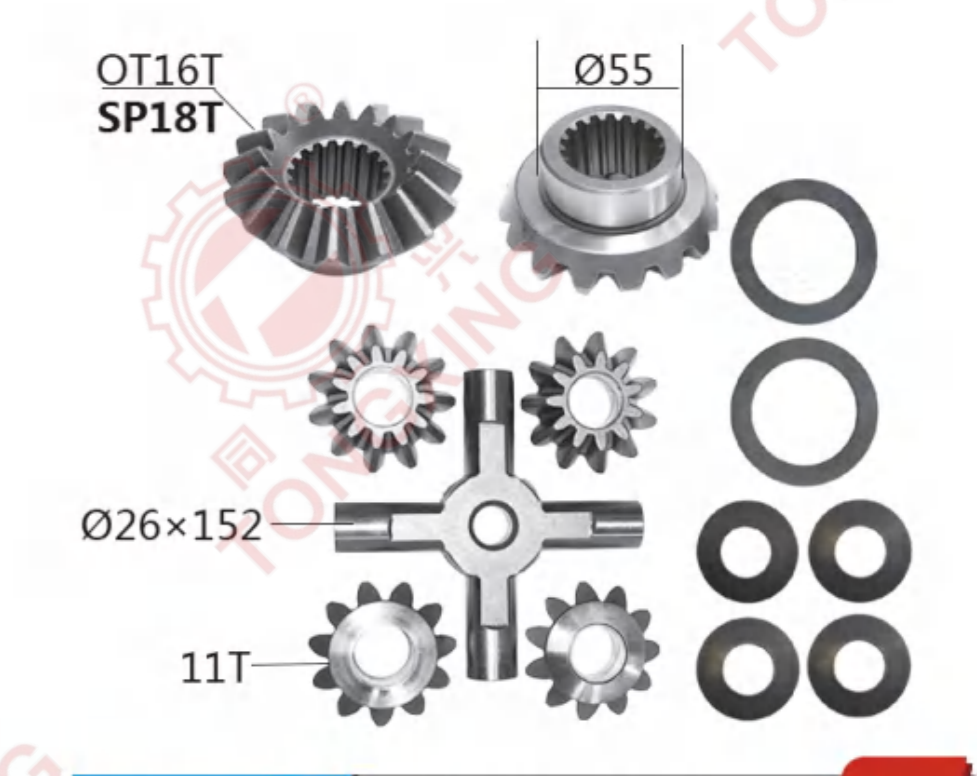
TXZ090 PS100 NEW **New**



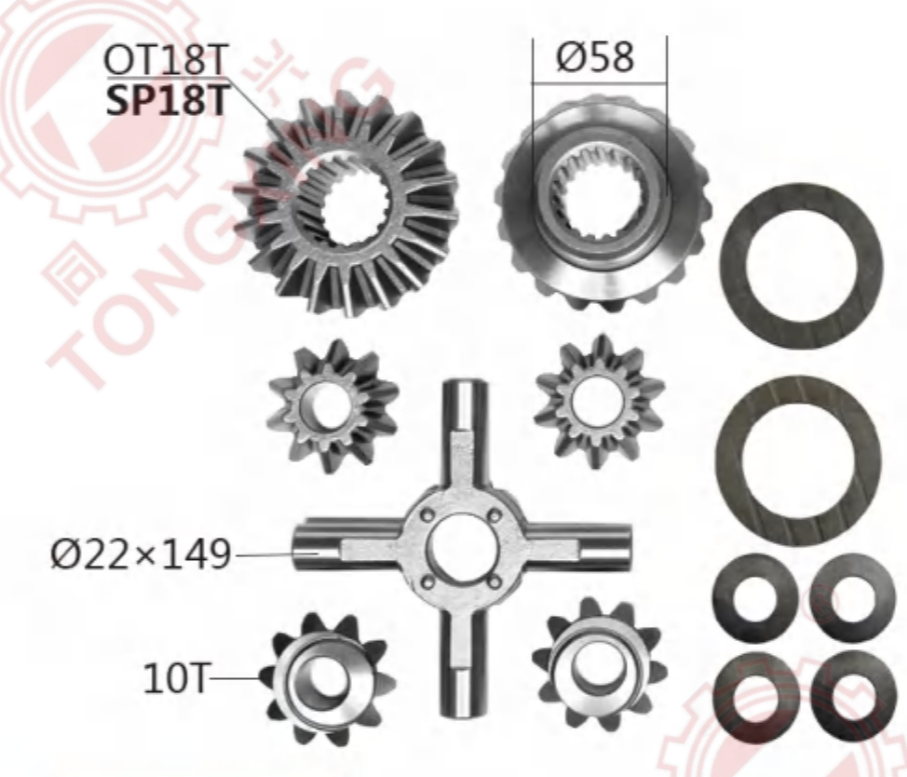
TXZ050-A HYUNDAI 2.5TON OLD/PS100



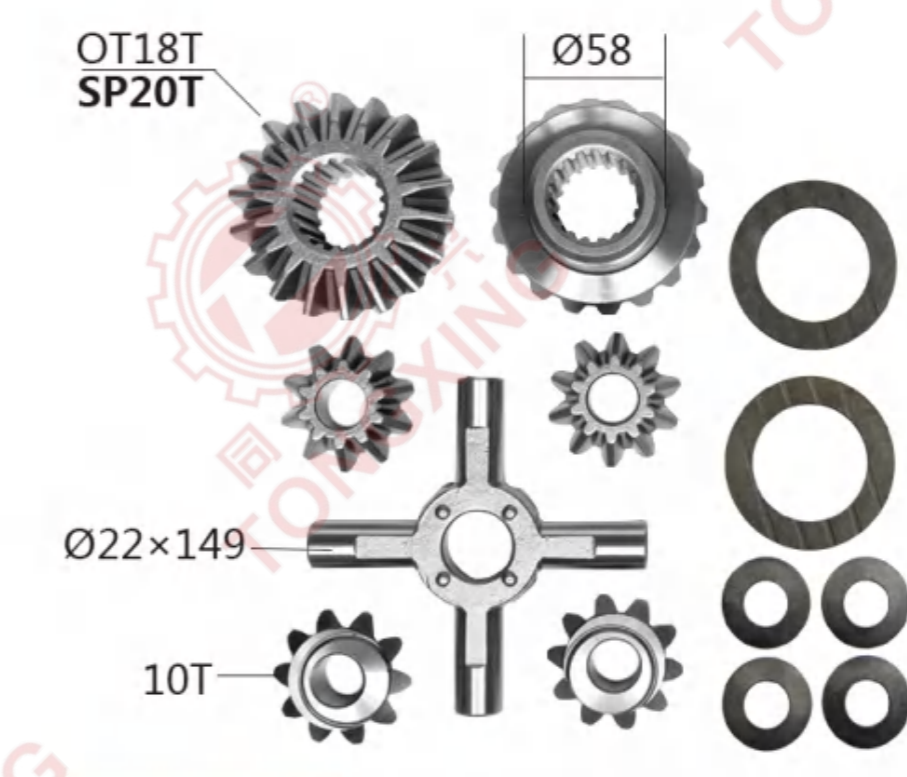
TXZ052-A HYUNDAI 3.5TON NEW/PS100



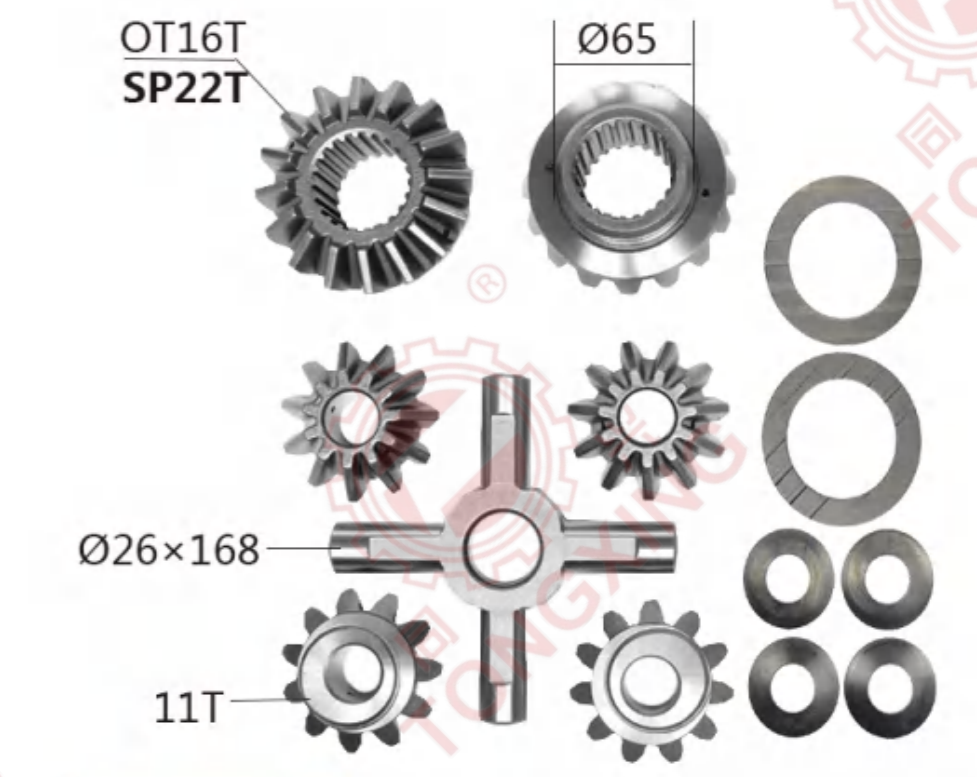
TXZ094 PS120 MODIF **New**



TXZ638 FUSO PS120/4D34



TXZ700 FUSO PS120



TXZ054 FUSO 6D16



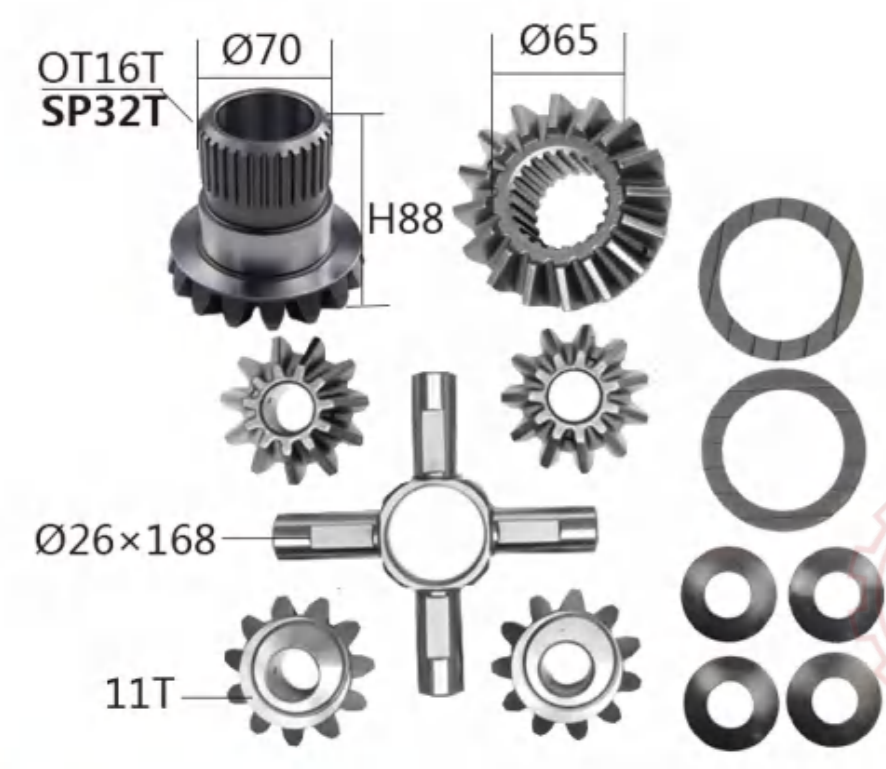
TXZ708 FUSO PS125/135



TXZ708 FUSO PS136 **New**



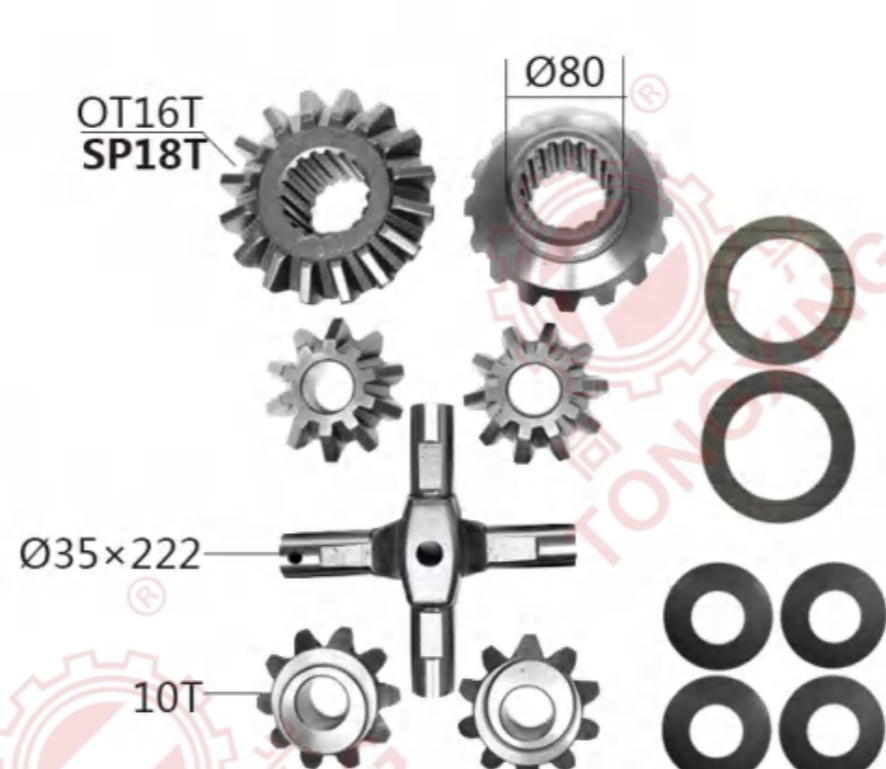
TXZ092 FK622



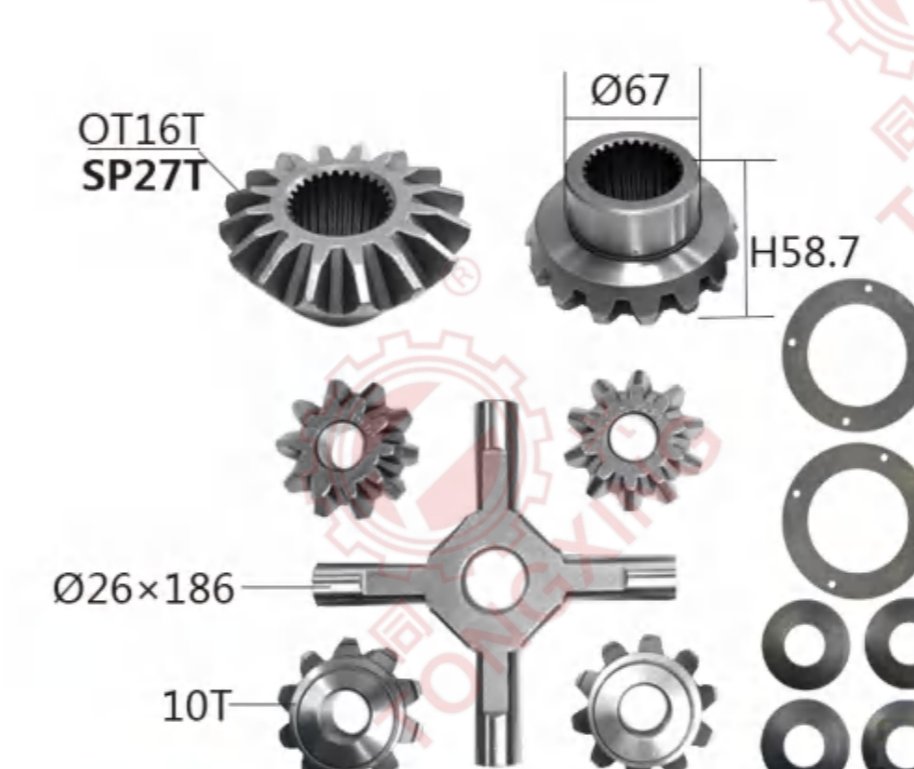
TXZ056 FUSO FRONT 6D16T



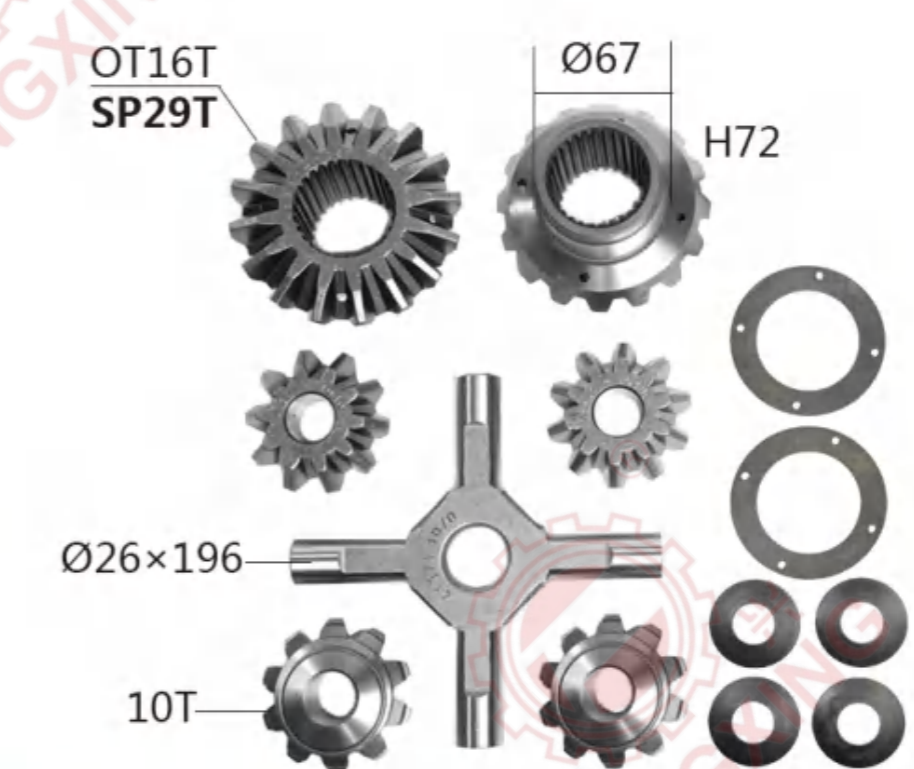
TXZ100 FUSO 8DC9 FRONT



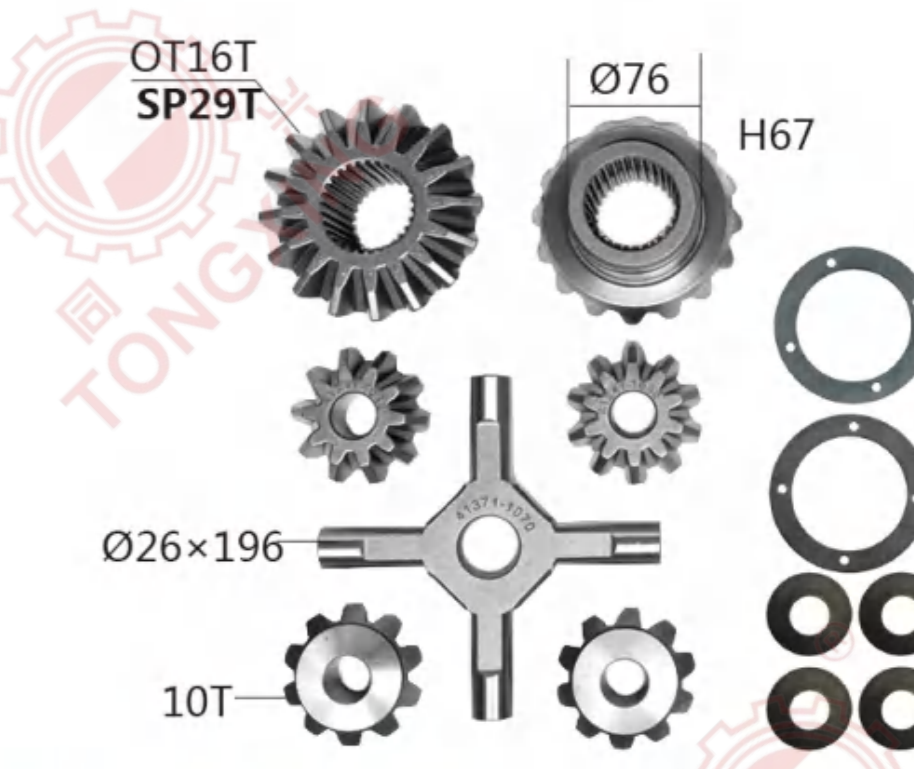
TXZ365 FUSO FM215



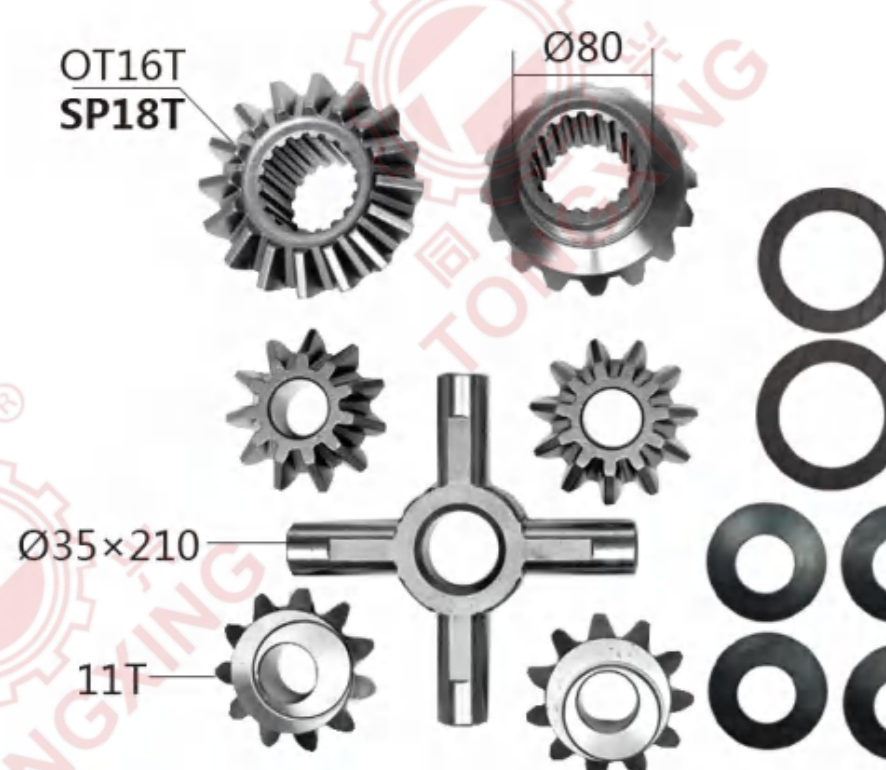
TXZ742 HINO 1530 **New**



TXZ080 HINO 1060



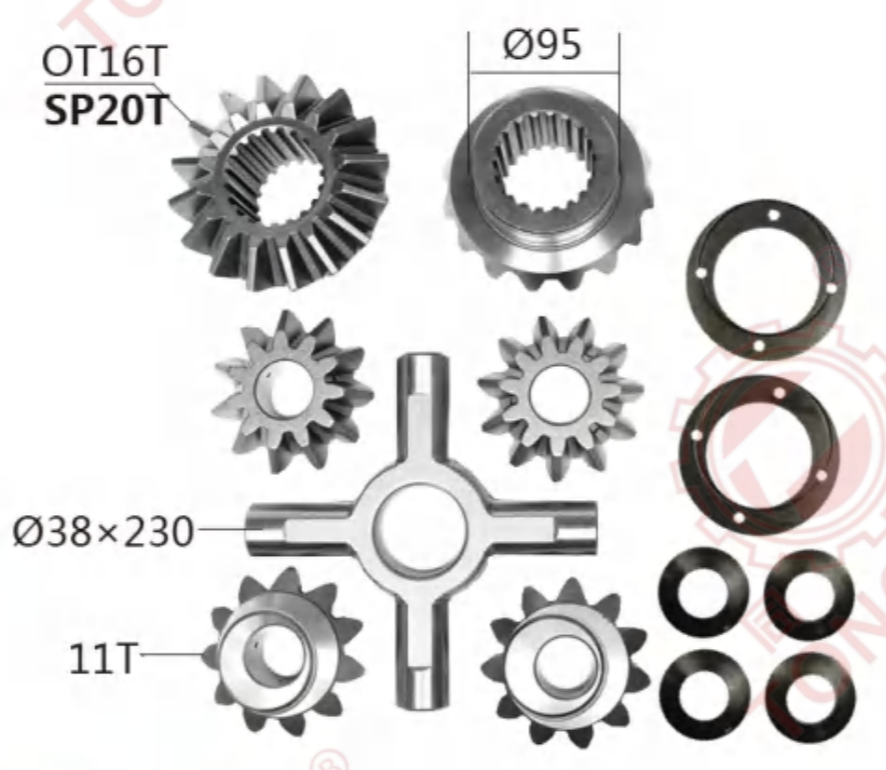
TXZ374 HINO 1520



TXZ YN05 FUSO 8DC9 REAR



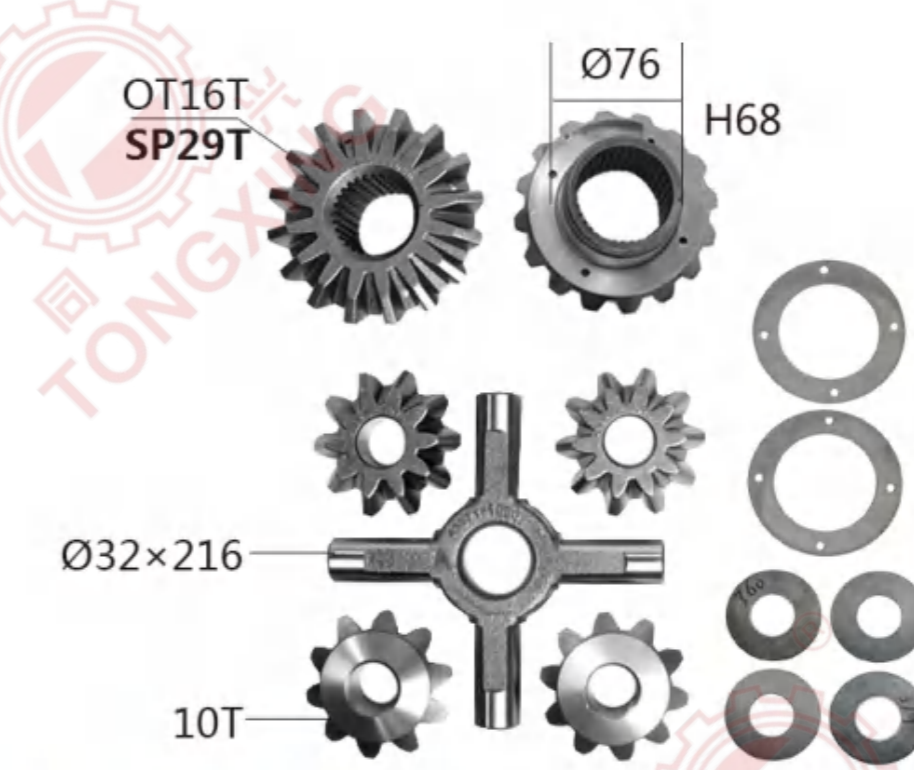
TXZ088 FUSO 8DC9 REAR NEW



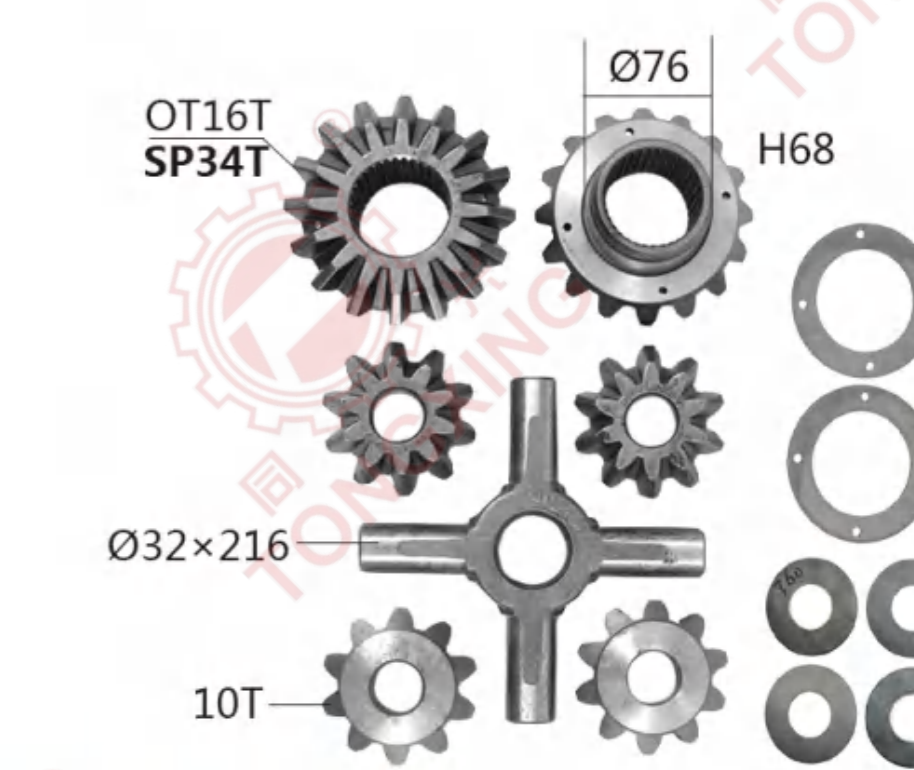
TXZ060 FUSO M91



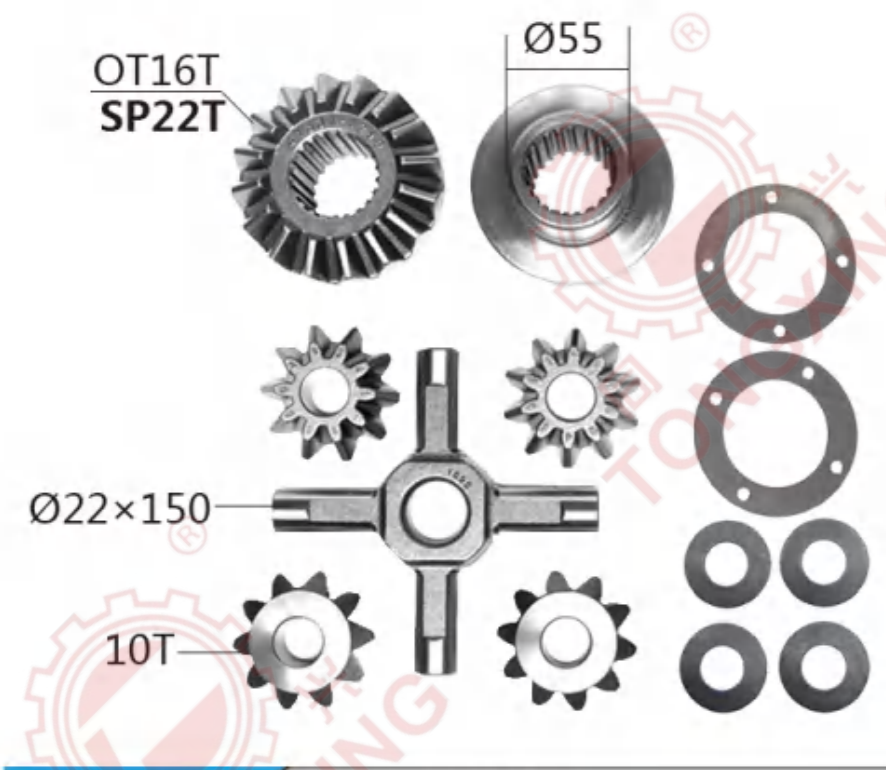
TXZ752 HINO 1740 **New**



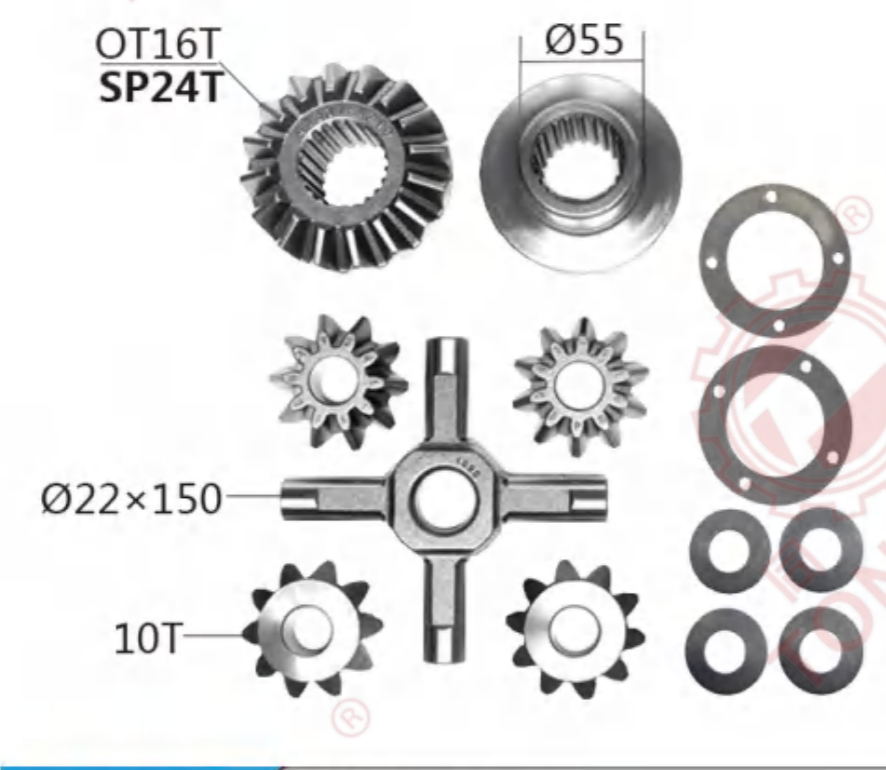
TXZ128 HINO 1050



TXZ030 HINO 1020



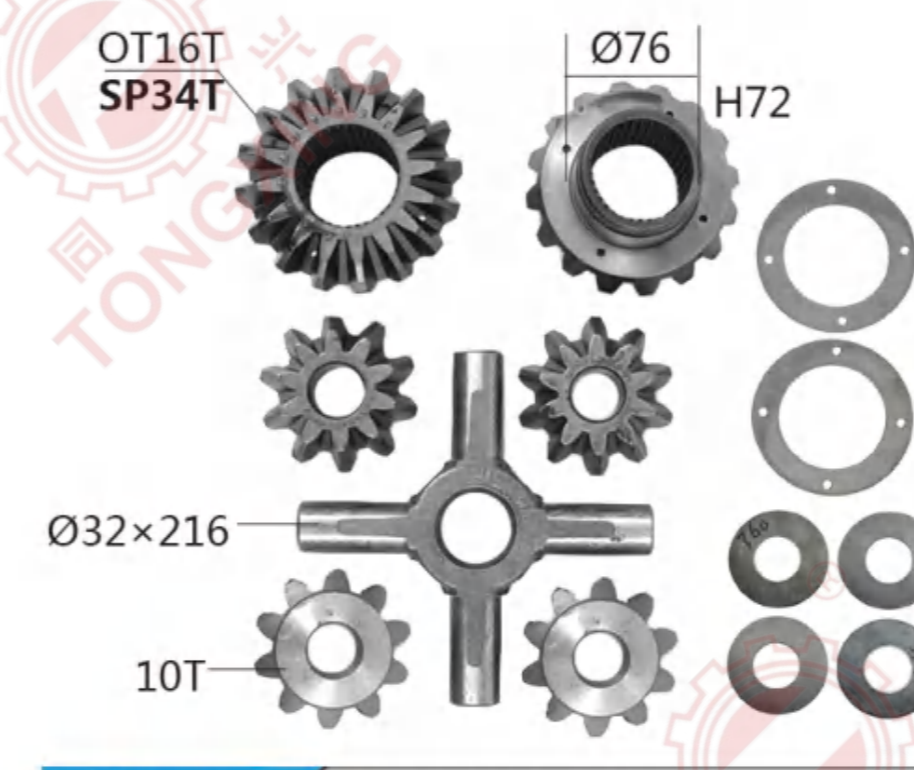
TXZ350 HINO 1210



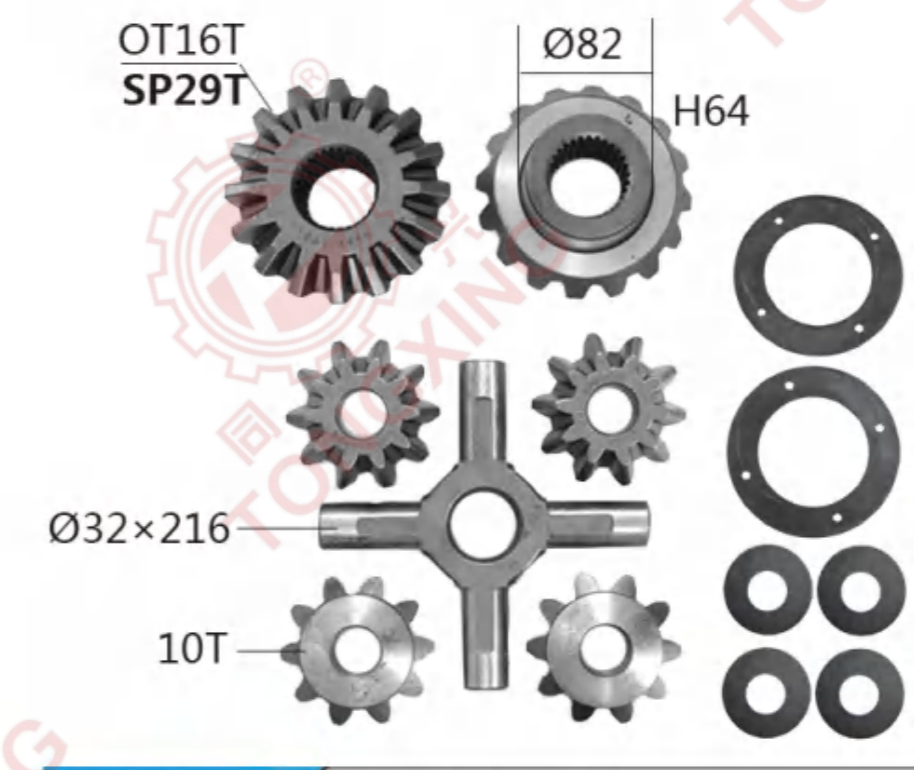
TXZ286 HINO 1410



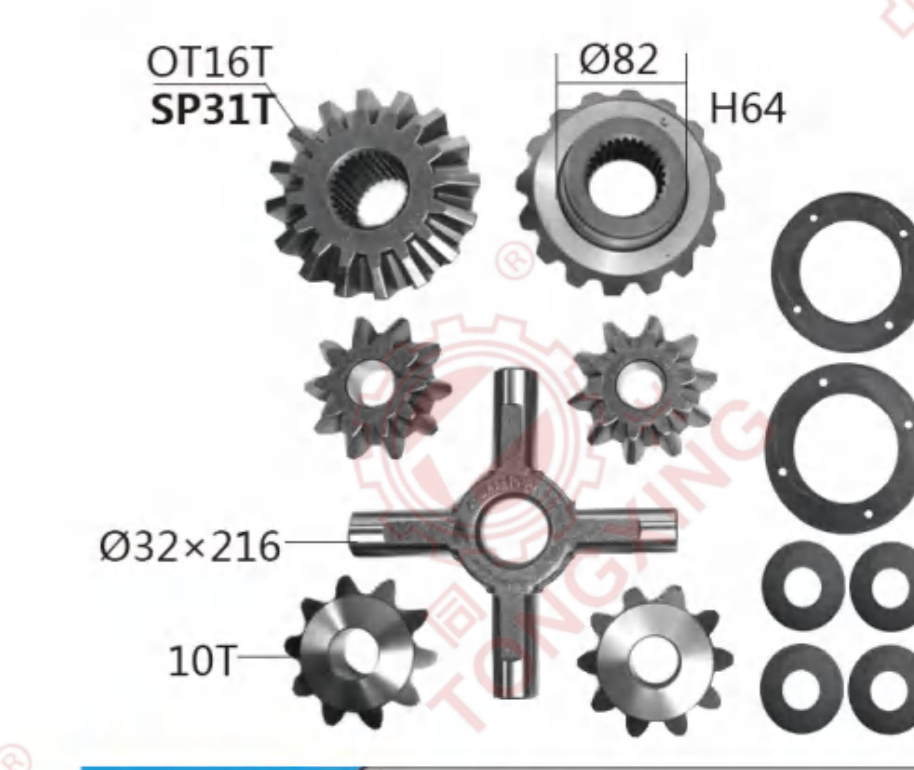
TXZ YN09 HINO 1890/14B



TXZ032 HINO 1320



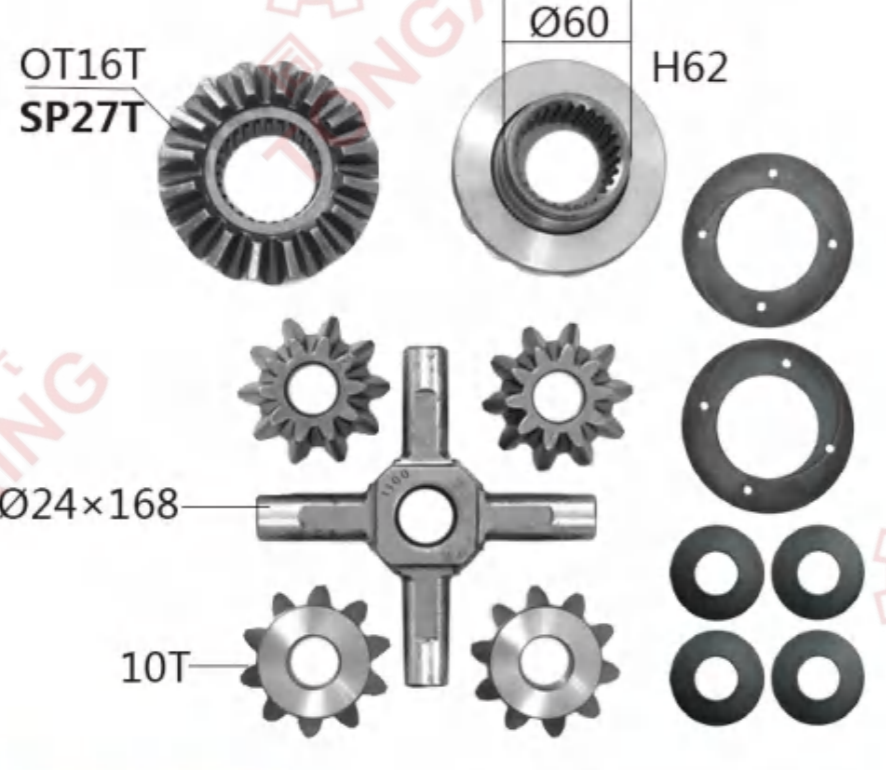
TXZ072 HINO 1440



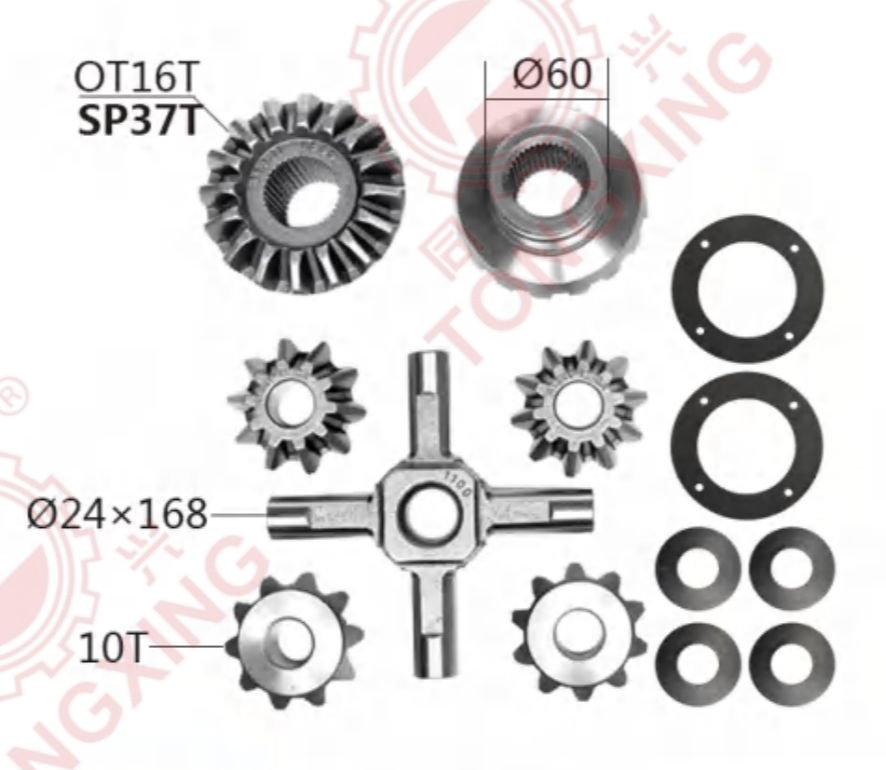
TXZ071 HINO 1450



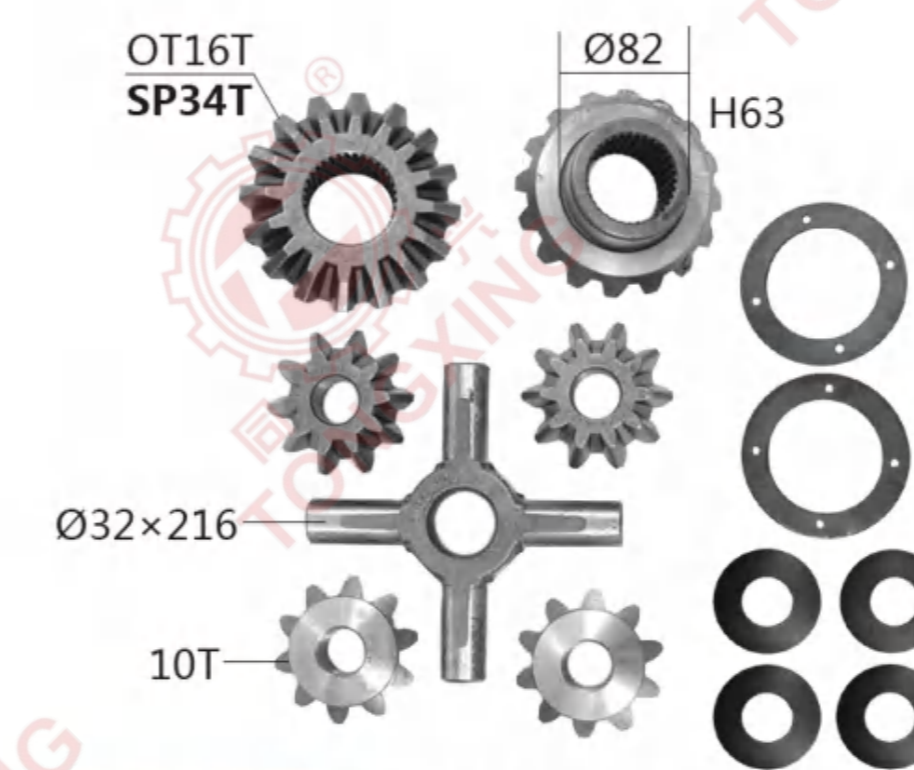
TXZ370 HINO FC



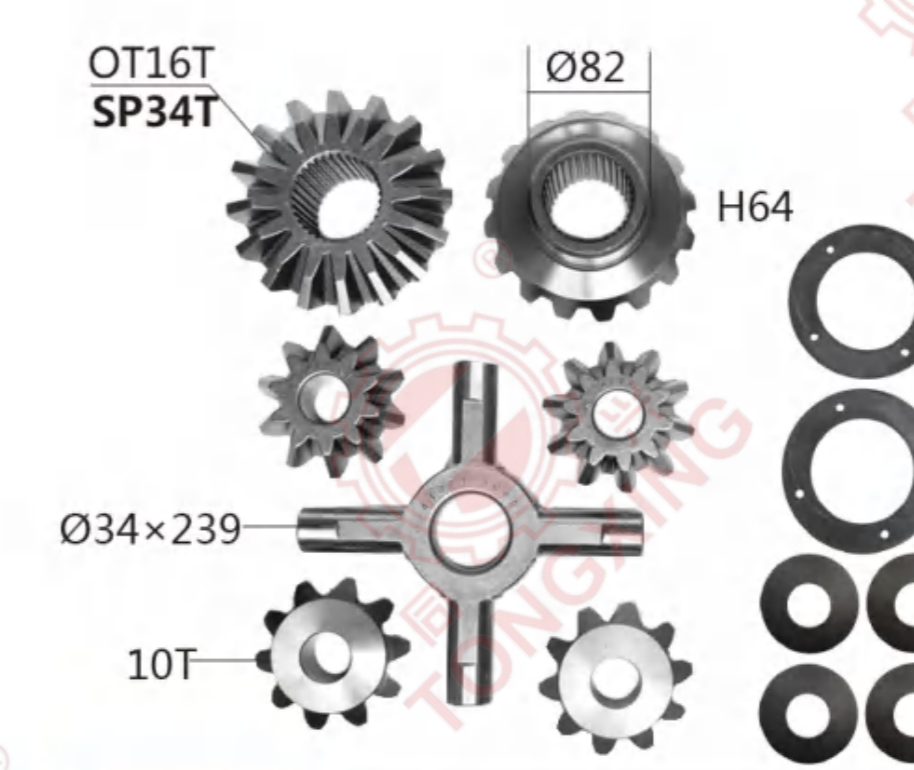
TXZ6782 HINO FC OLD



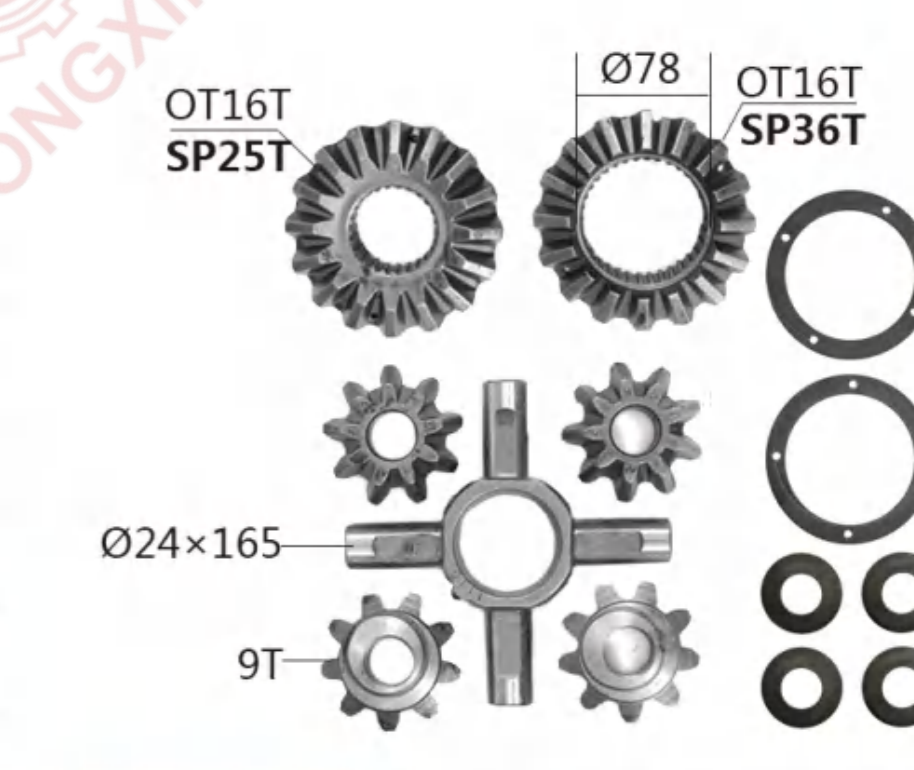
TXZ YN08 HINO HT125



TXZ264 HINO 1460



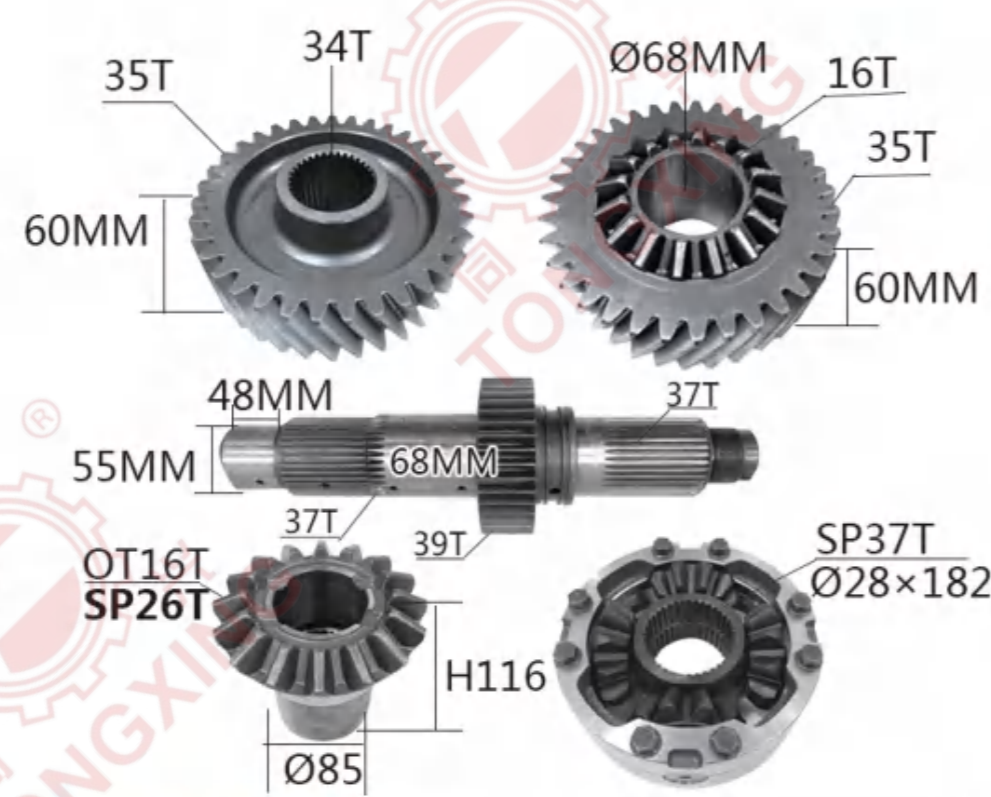
TXZ074 HINO 1180



TXZ292 HINO 1330



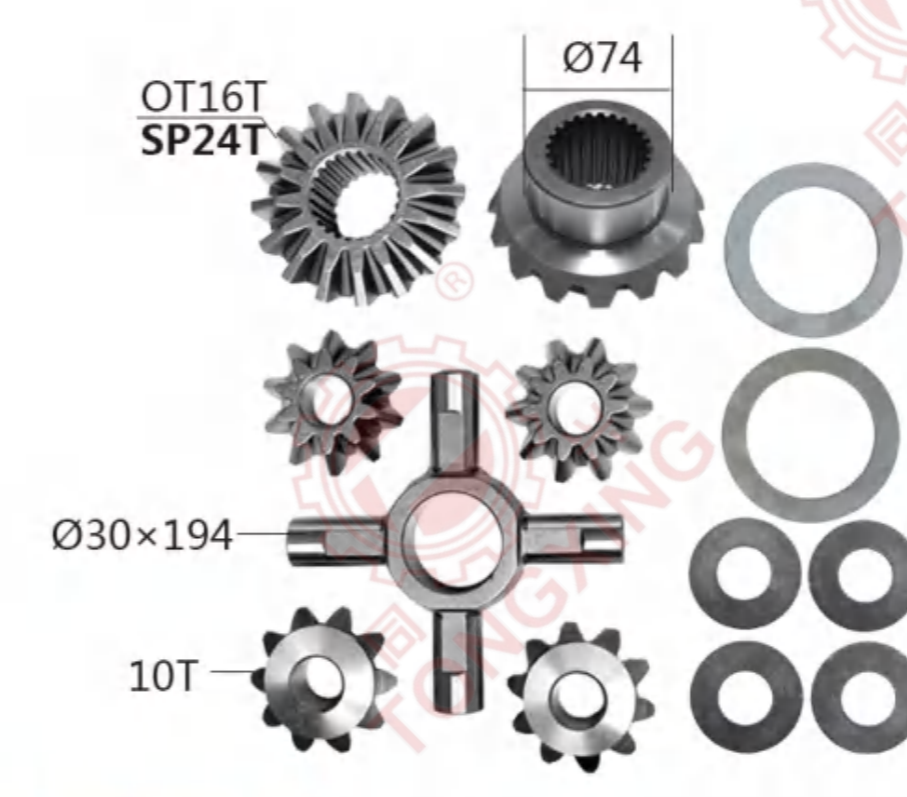
TXZ069 HINO 1800



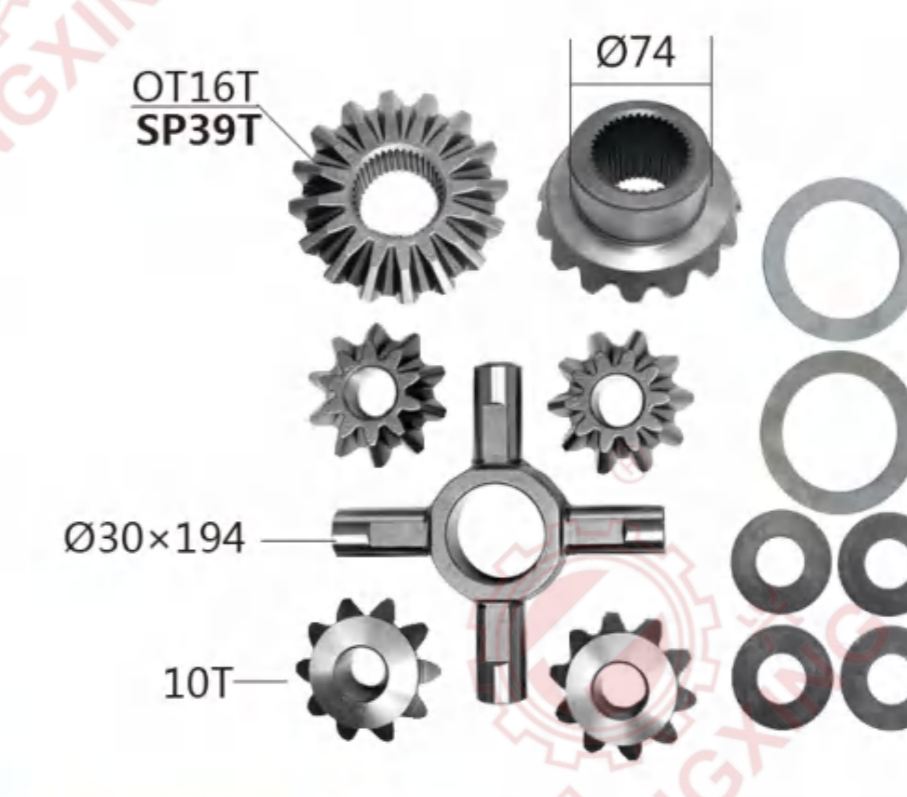
TXZ826 HINO 1710



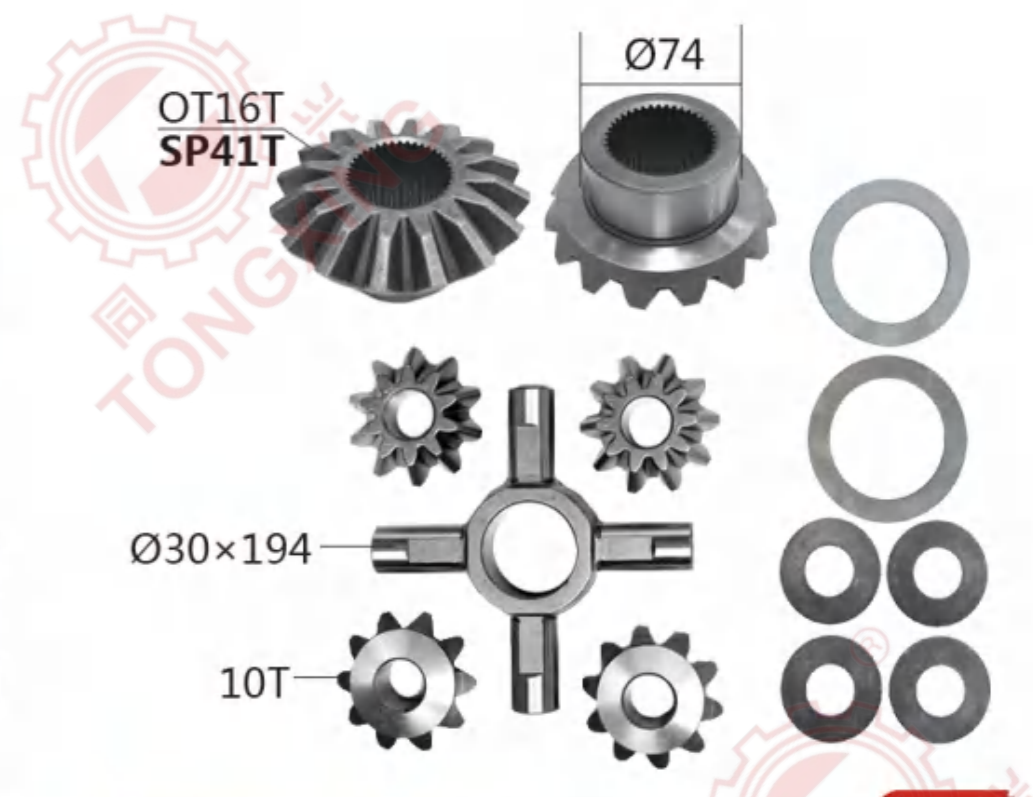
TXZ1084 HINO 1600



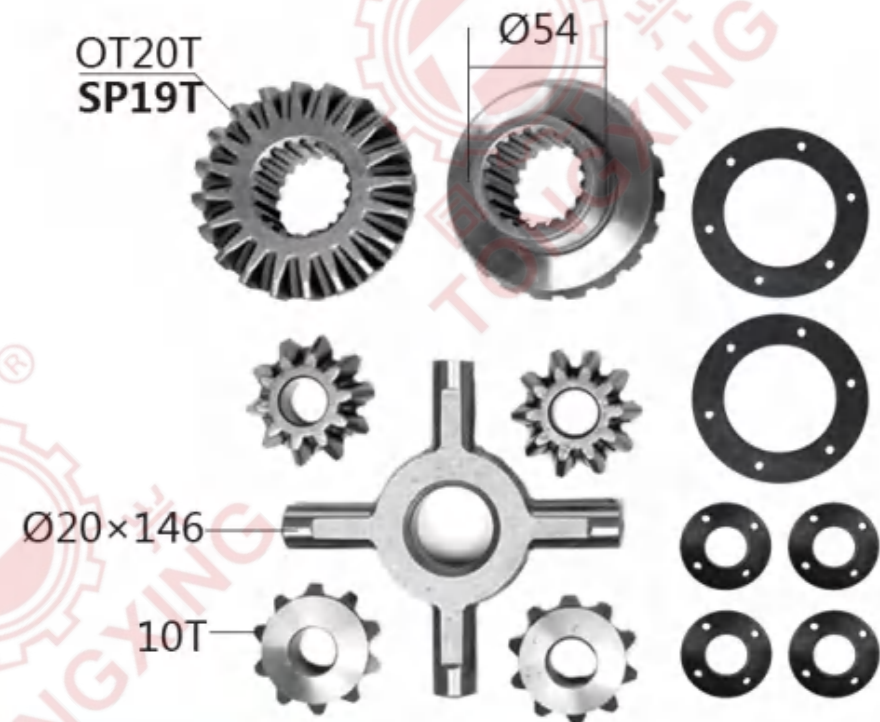
TXZ188B ISUZU FTR



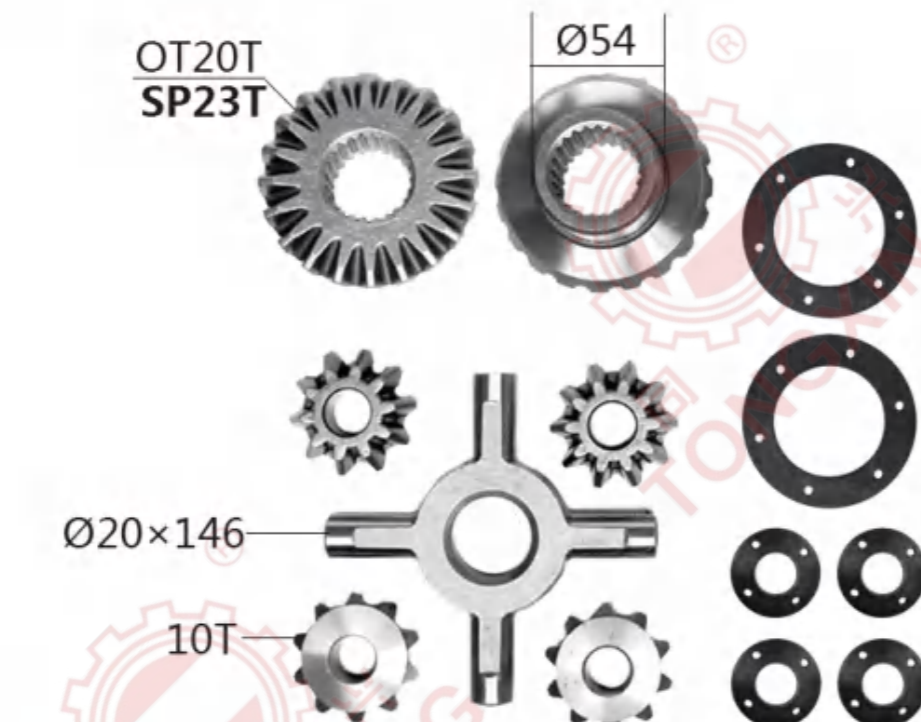
TXZ188A ISUZU FTR



TXZ910 ISUZU FTR **New**



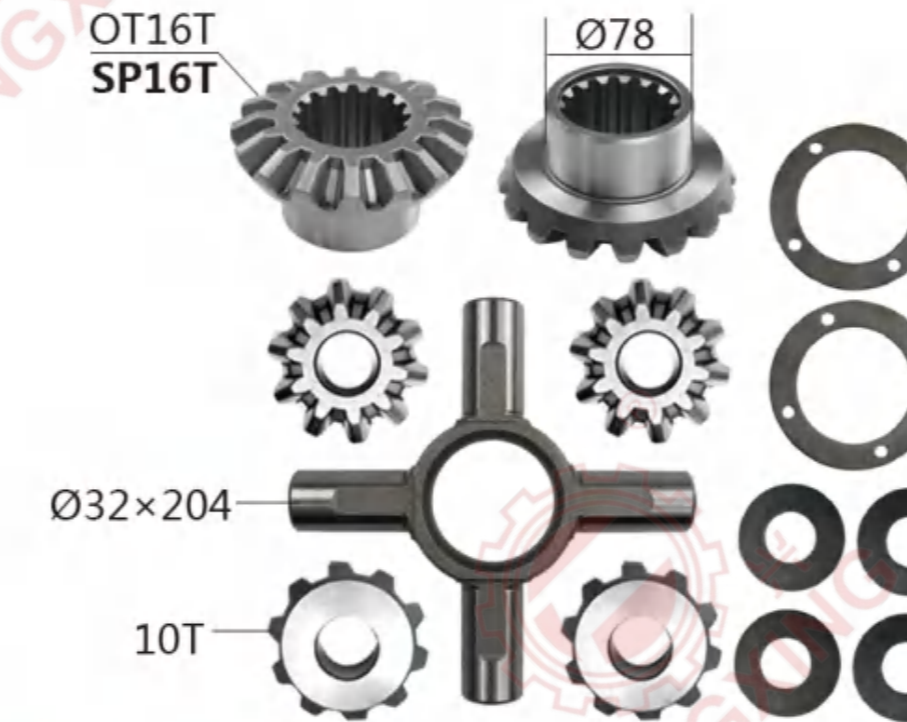
TXZ112 ISUZU NPR



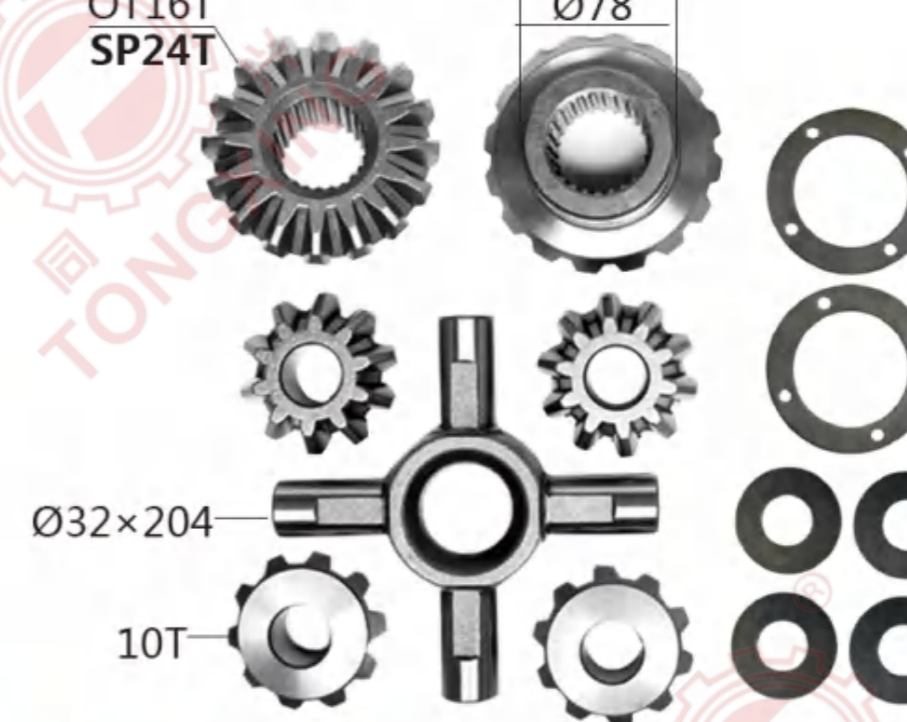
TXZ112 ISUZU NPR



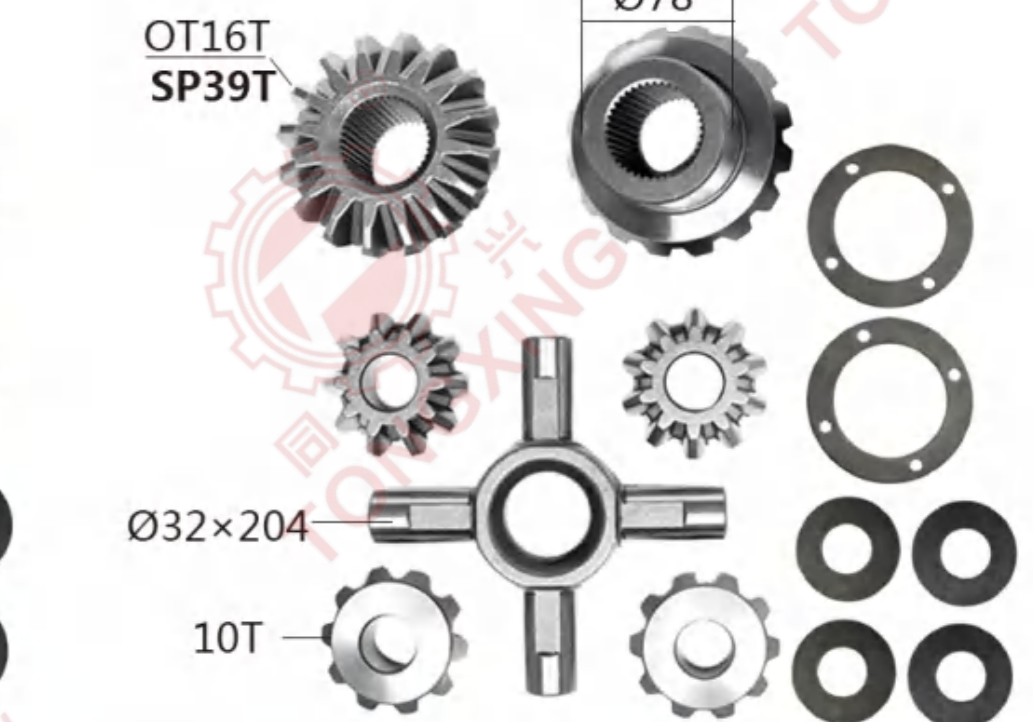
TXZ636 ISUZU NPR **New**



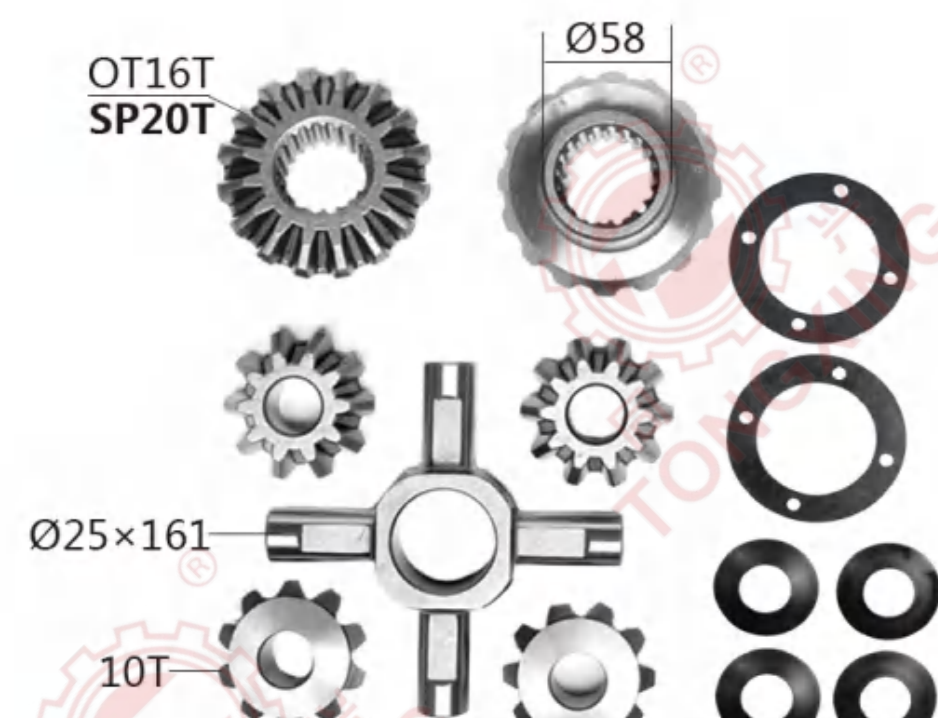
TXZ798 ISUZU FSR



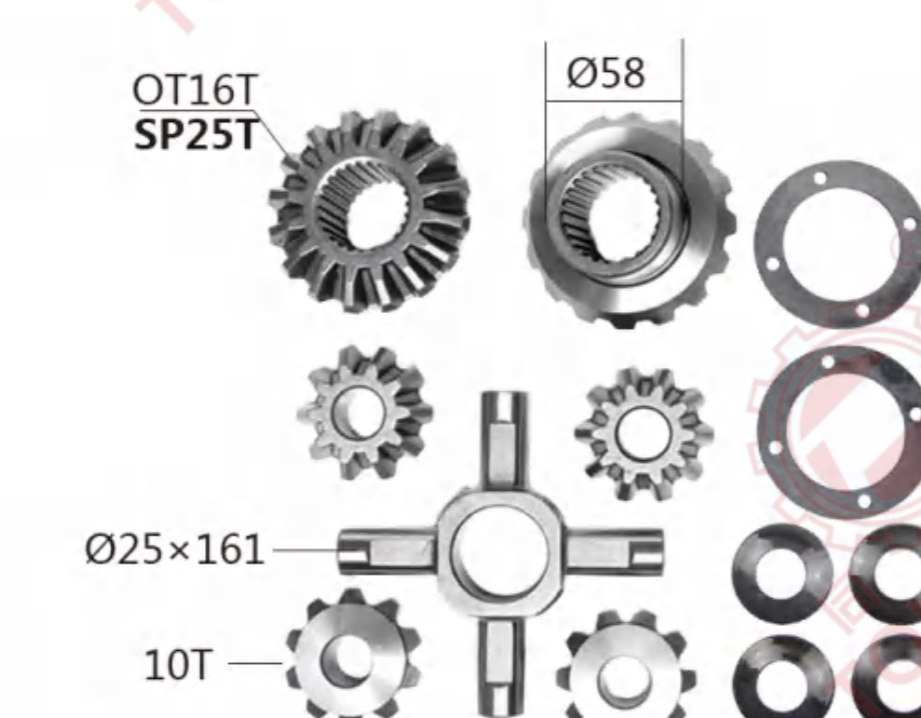
TXZ164B ISUZU FSR



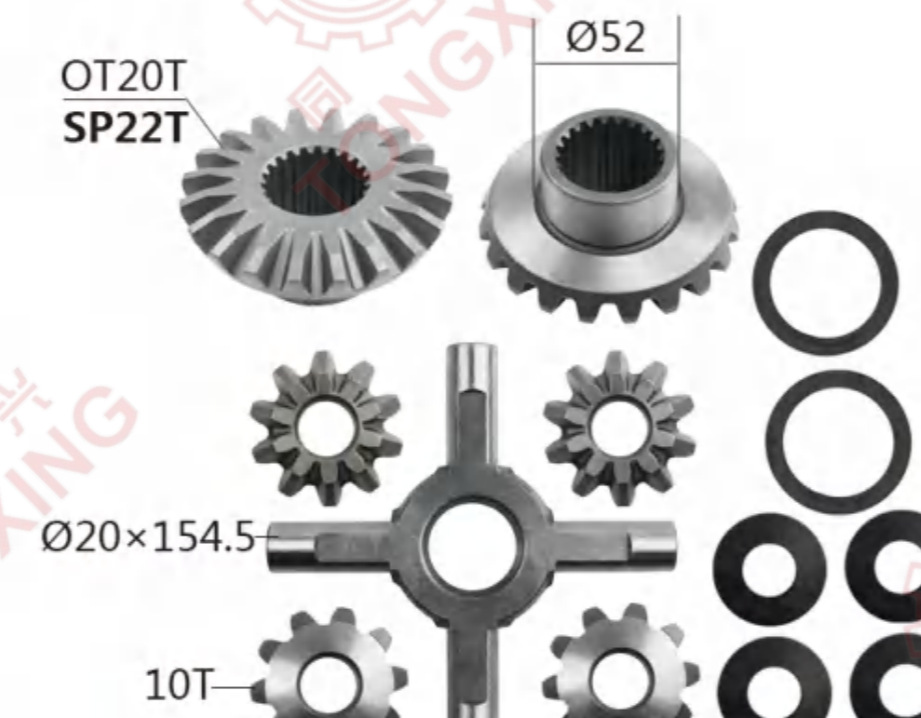
TXZ164A ISUZU FSR



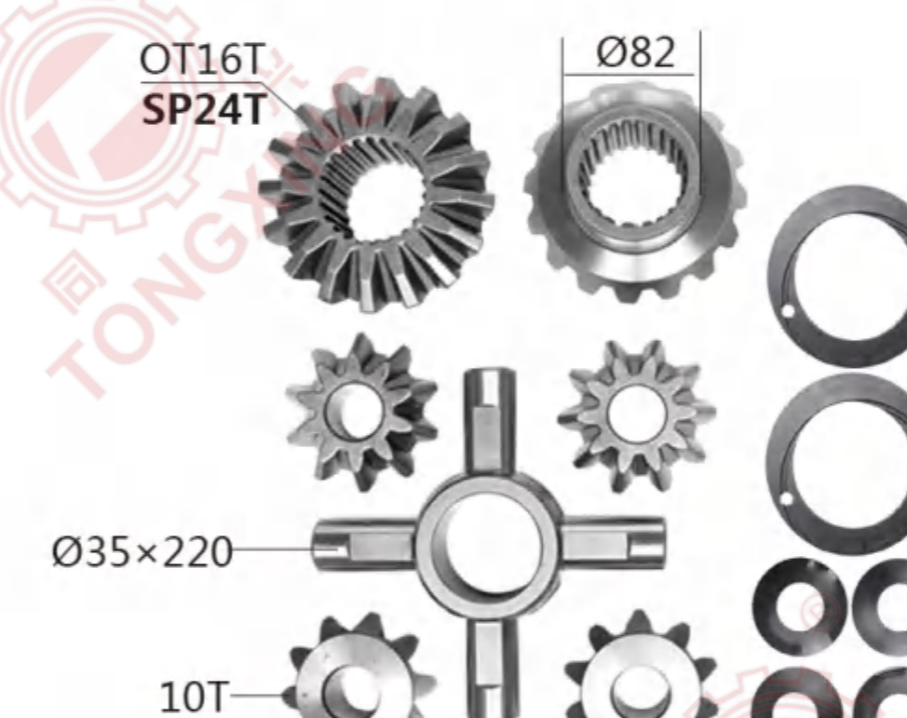
TXZ354 ISUZU FBR NKR66



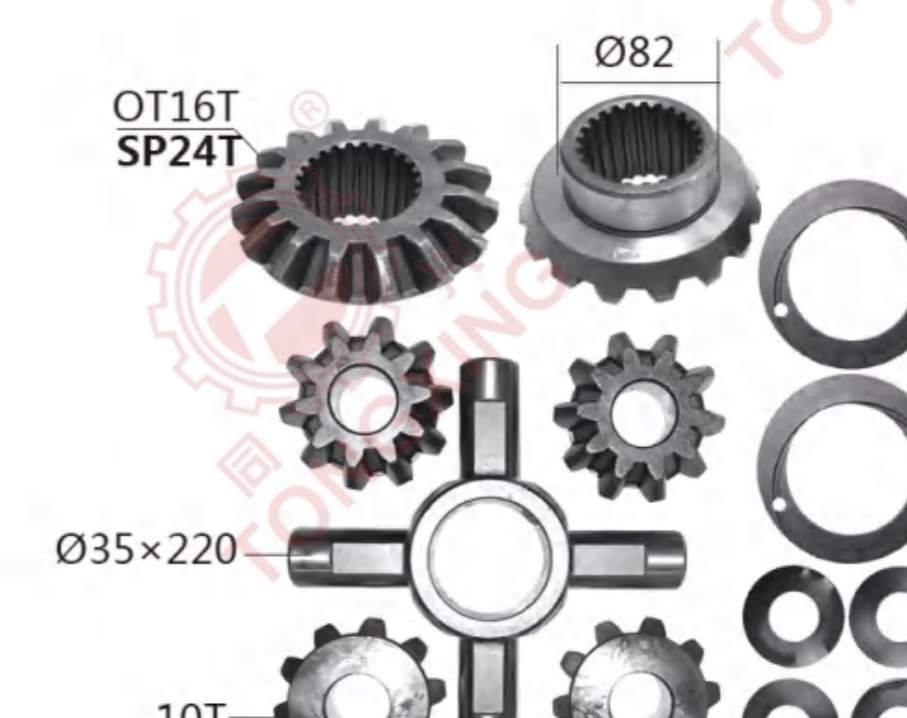
TXZ356 ISUZU FBR NMR71



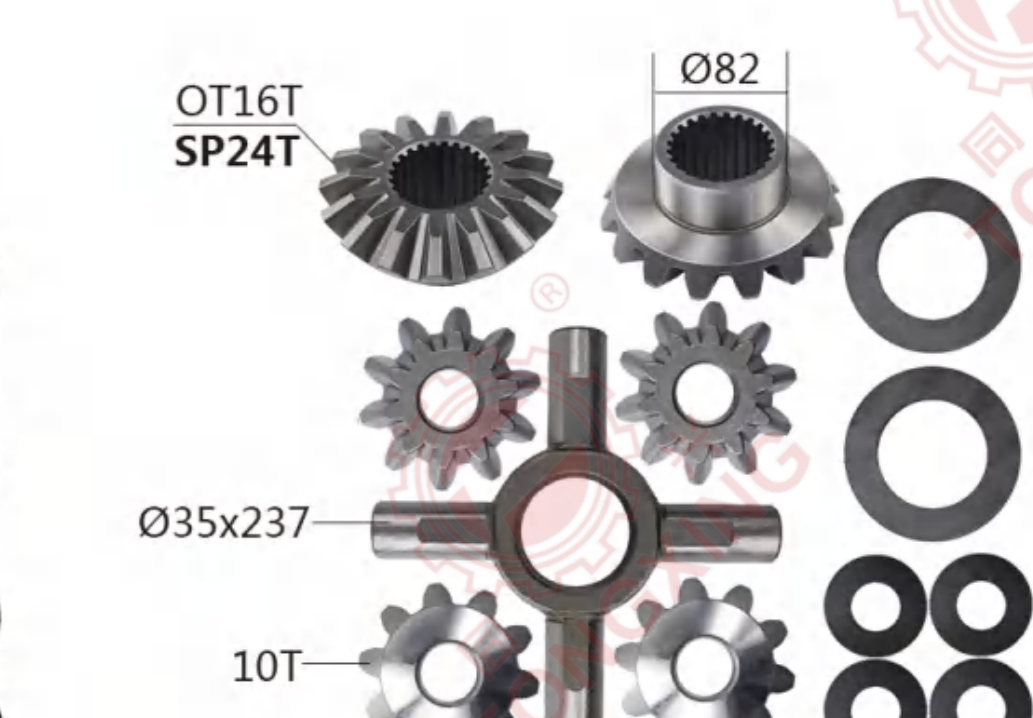
TXZ334 ISUZU DV99 **New**



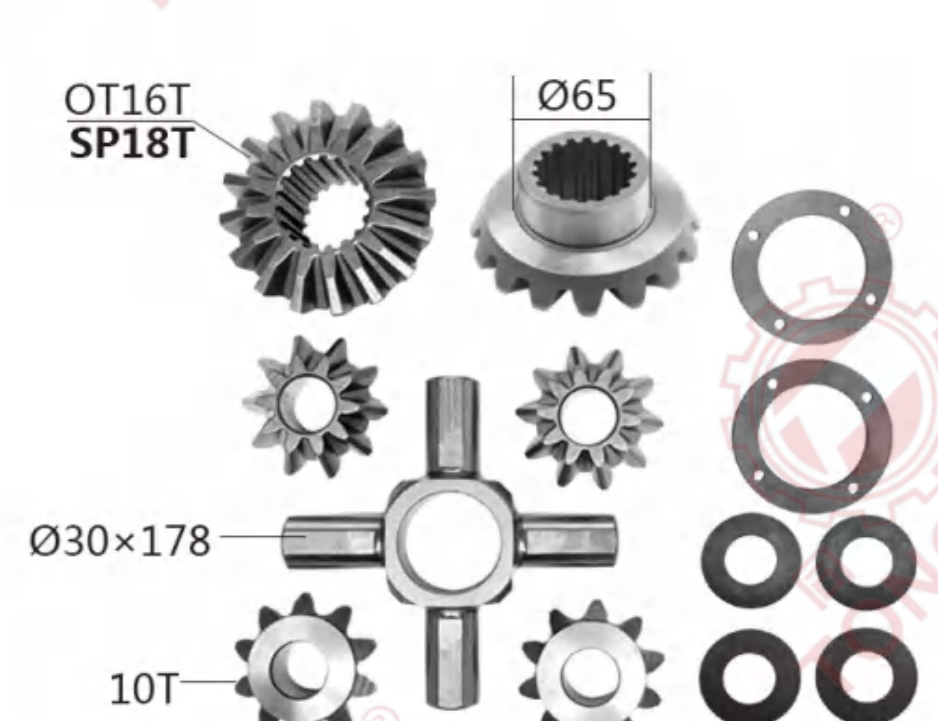
TXZ058 ISUZU 10PC1 CXZ



TXZ084 ISUZU 10PC1 NEW



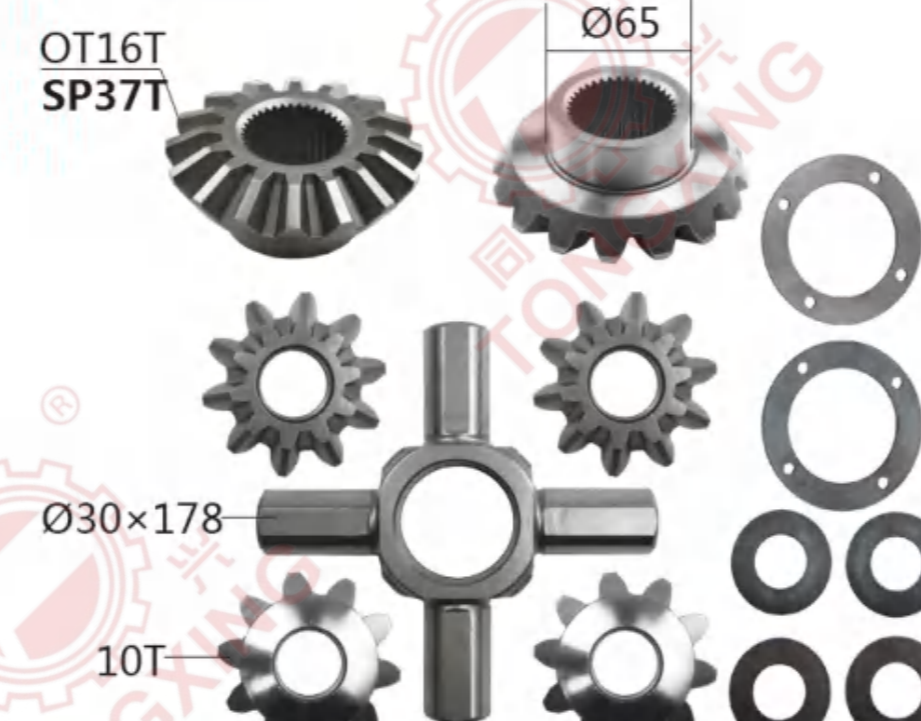
TXZ096 ISUZU 10PD1 CXZ187



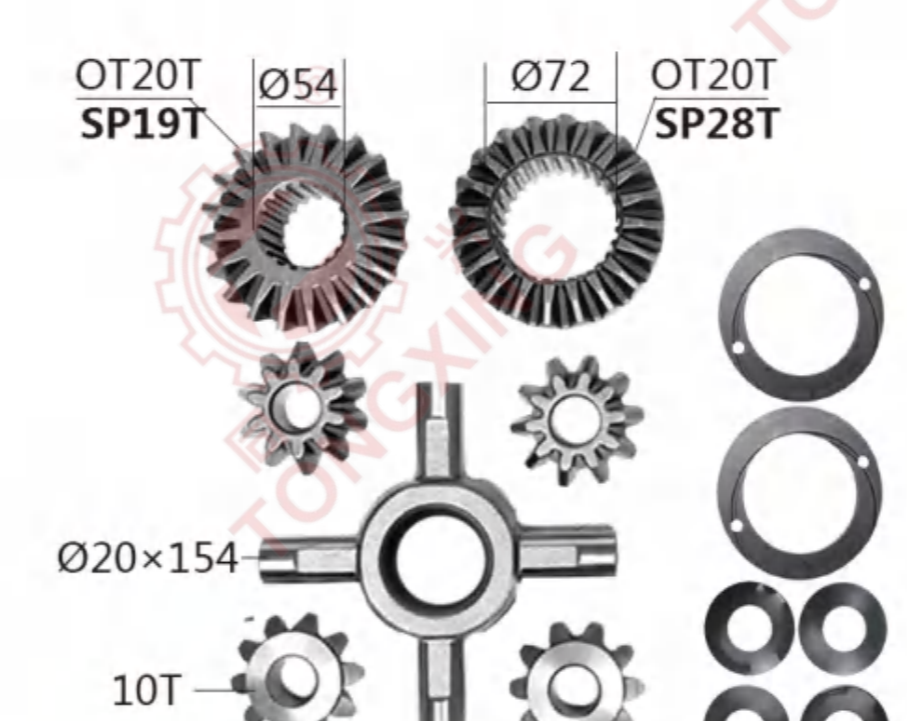
TXZ714 ISUZU **New**



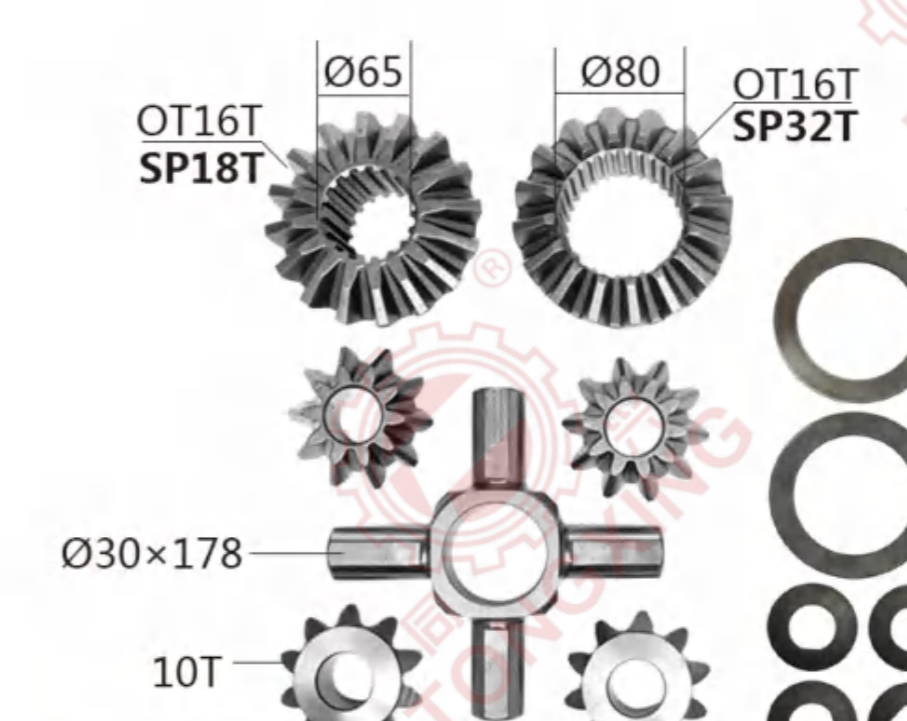
TXZ709 ISUZU D600



TXZ710 ISUZU **New**



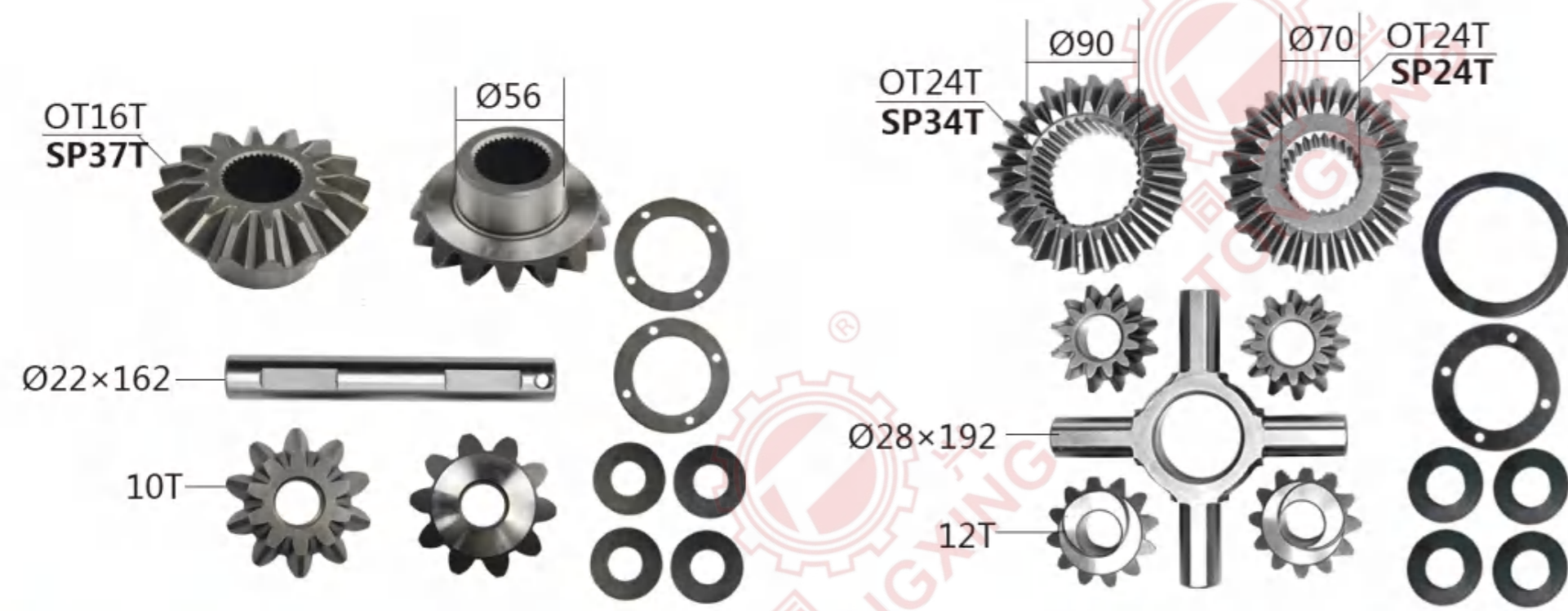
TXZ330 ISUZU 10PB1 FRONT



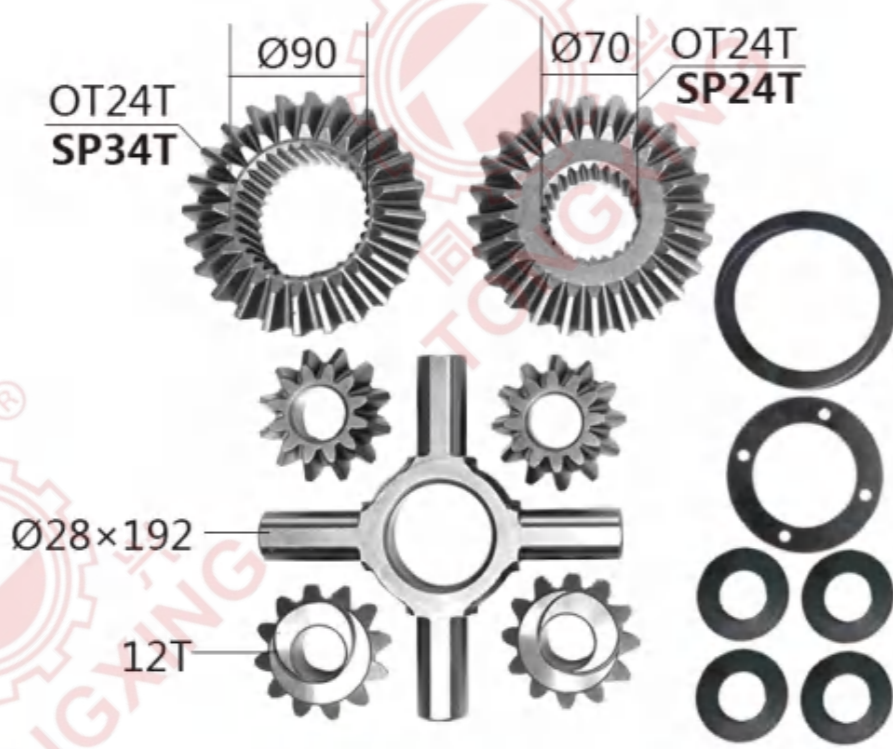
TXZ326 ISUZU 10PC1 FRONT



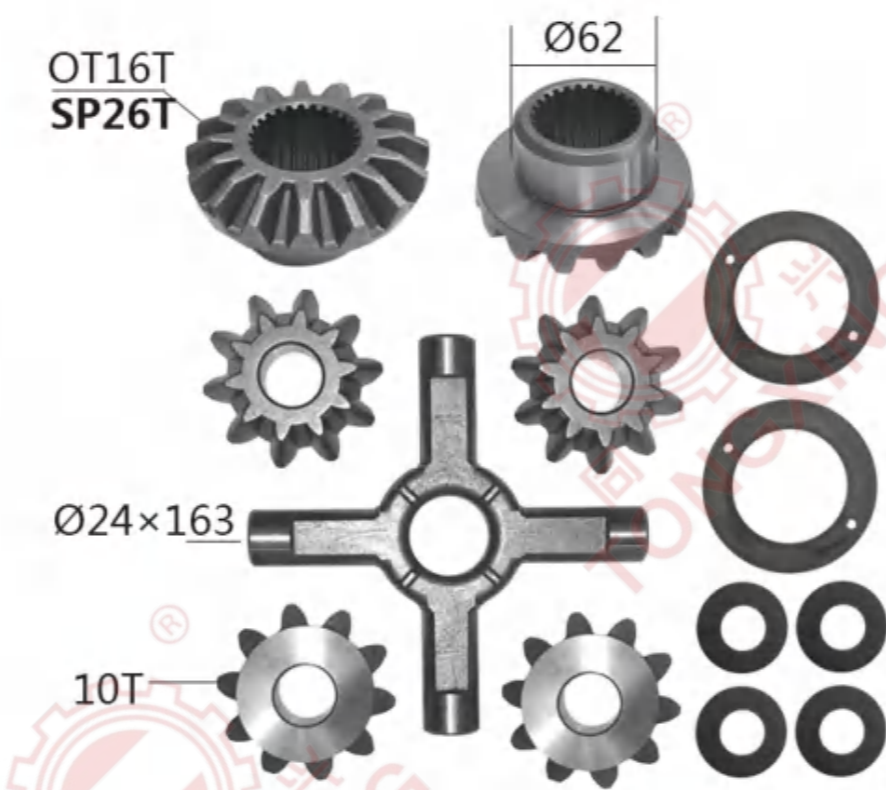
TXZ794 ISUZU 10PE1 CXZ



TXZ740 NISSAN JUNIOR



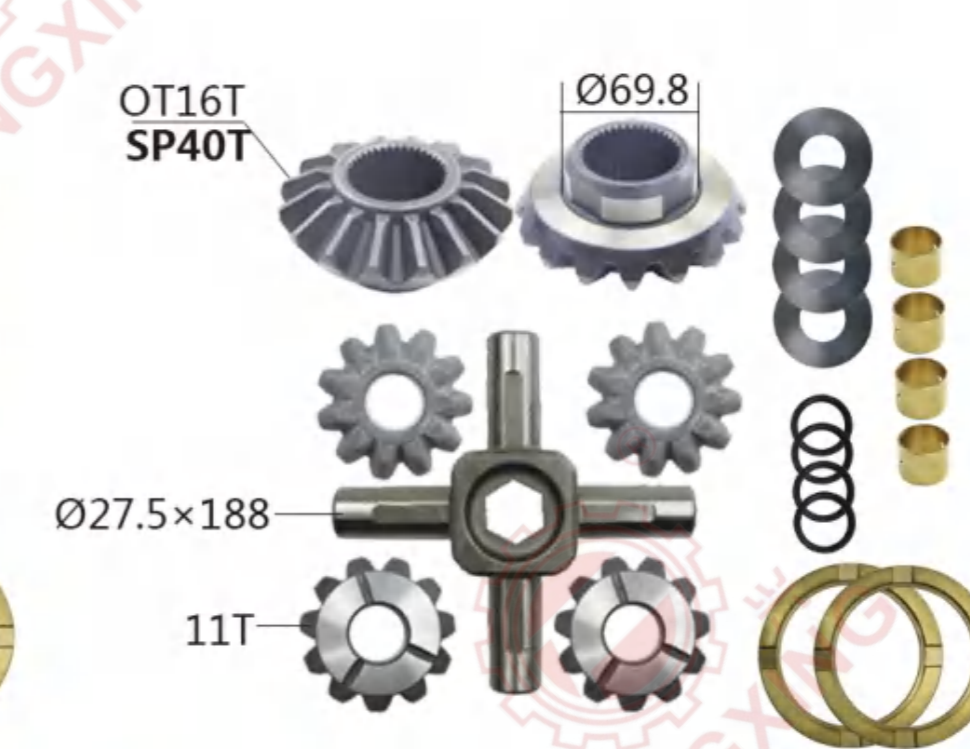
TXZ4242G NISSAN CW520



TXZ632 NISSAN FE6



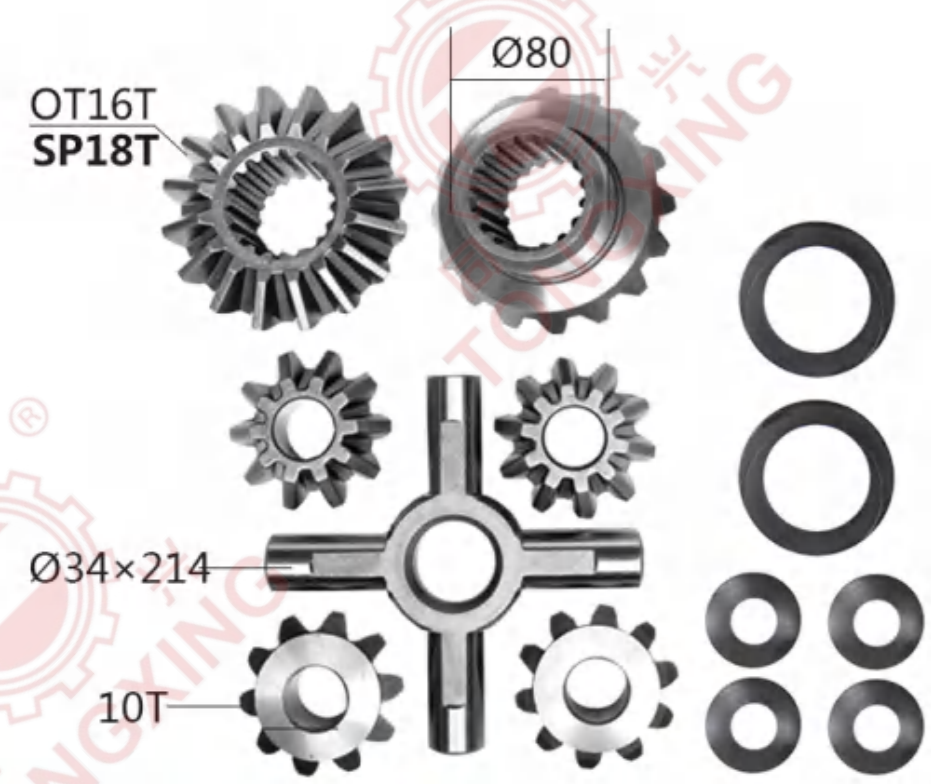
TXZ302 387.586.0035



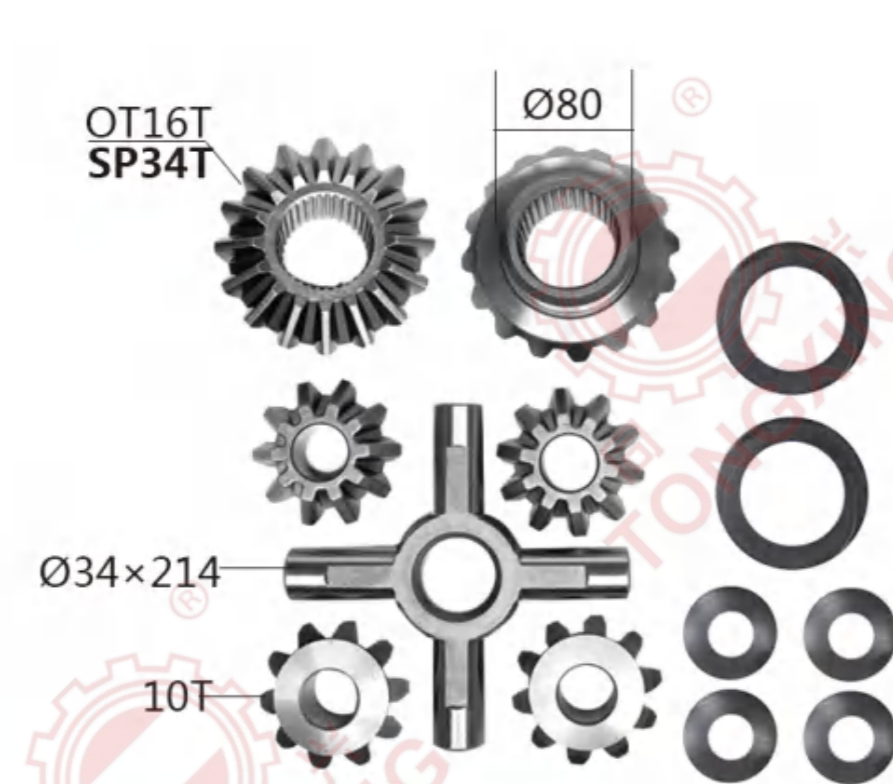
TXZ230A 387.350.0040



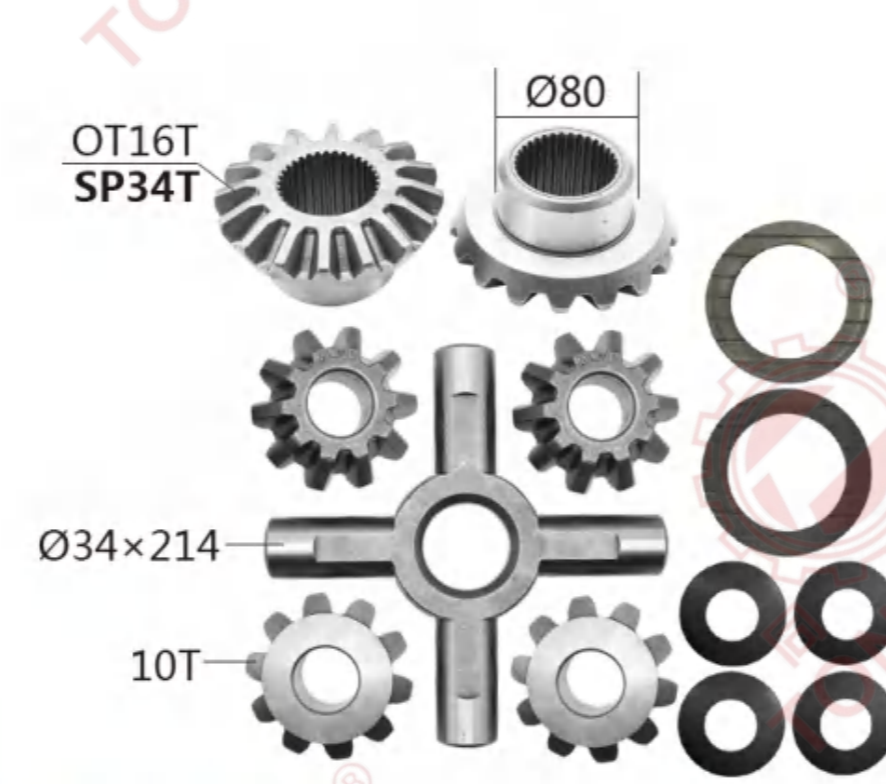
TXZ1028 948.350.0123



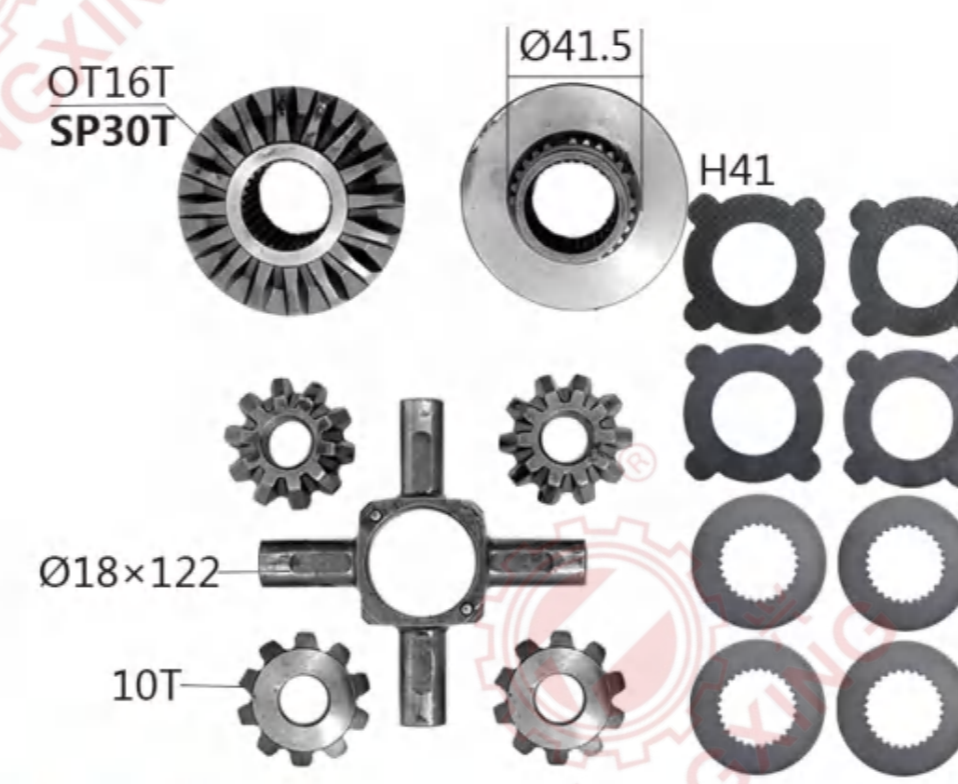
TXZ MSA02A NISSAN RD8



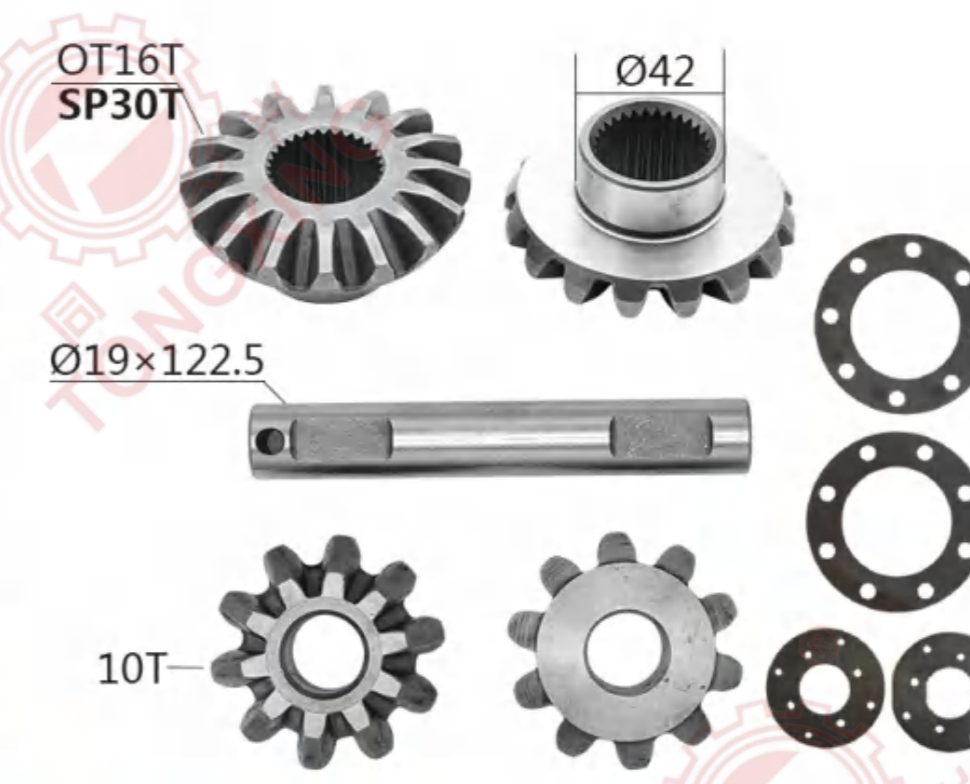
TXZ MSA02B NISSAN CW520



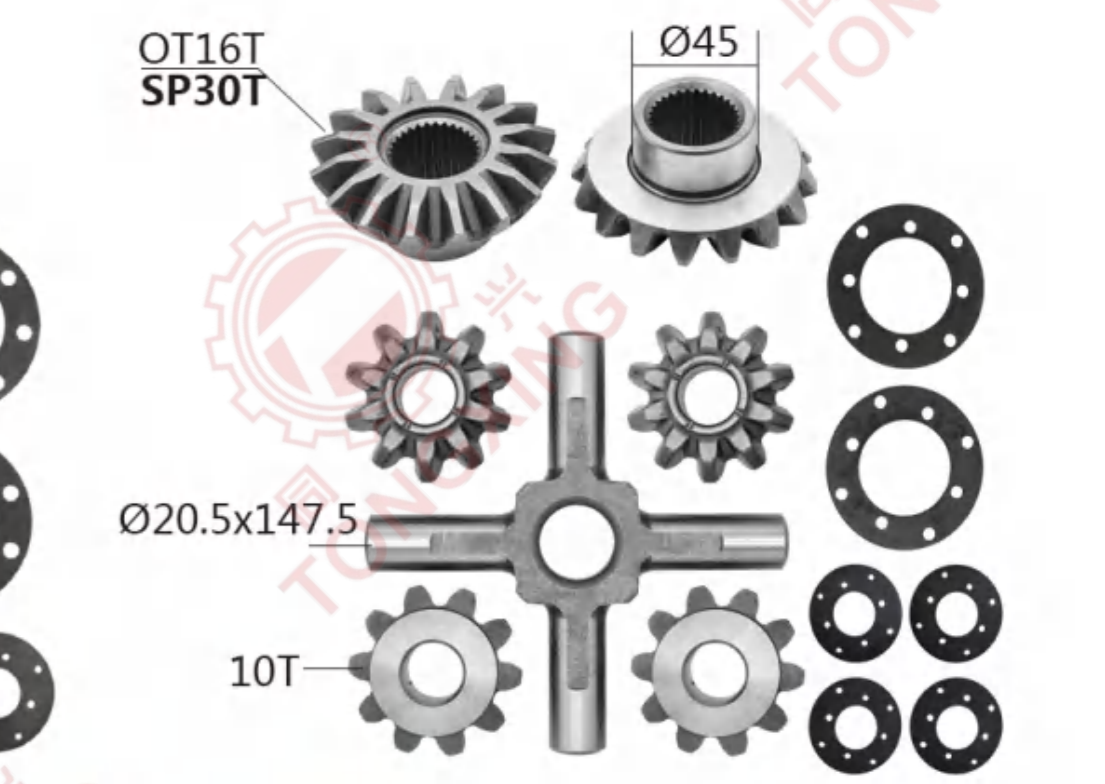
TXZ640 NISSAN CW520



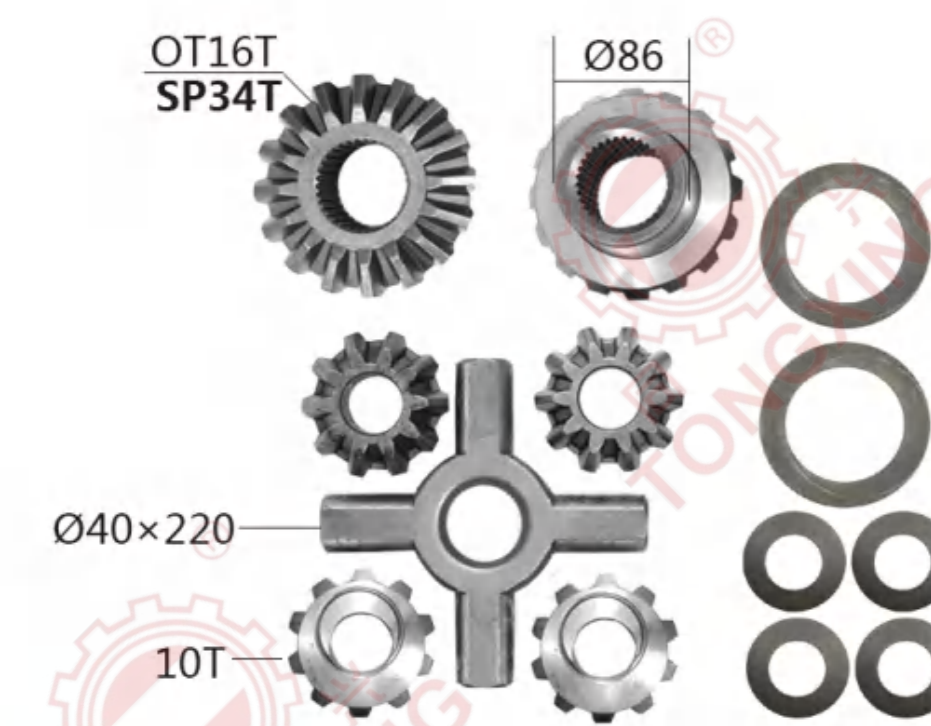
TXZ346B TOYOTA VIGO



TXZ042 TOYOTA HILACE



TXZ078 TOYOTA LAND CRUISER



TXZ076 NISSAN RG8



TXZ085 NISSAN CW520



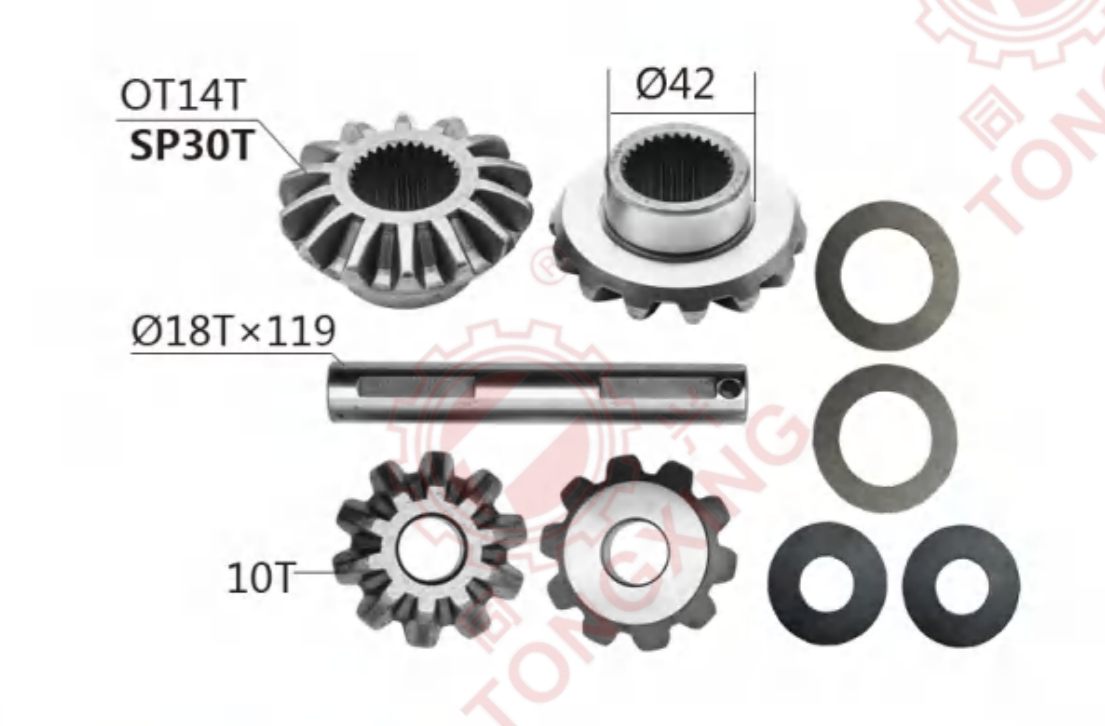
TXZ085 NISSAN CW520



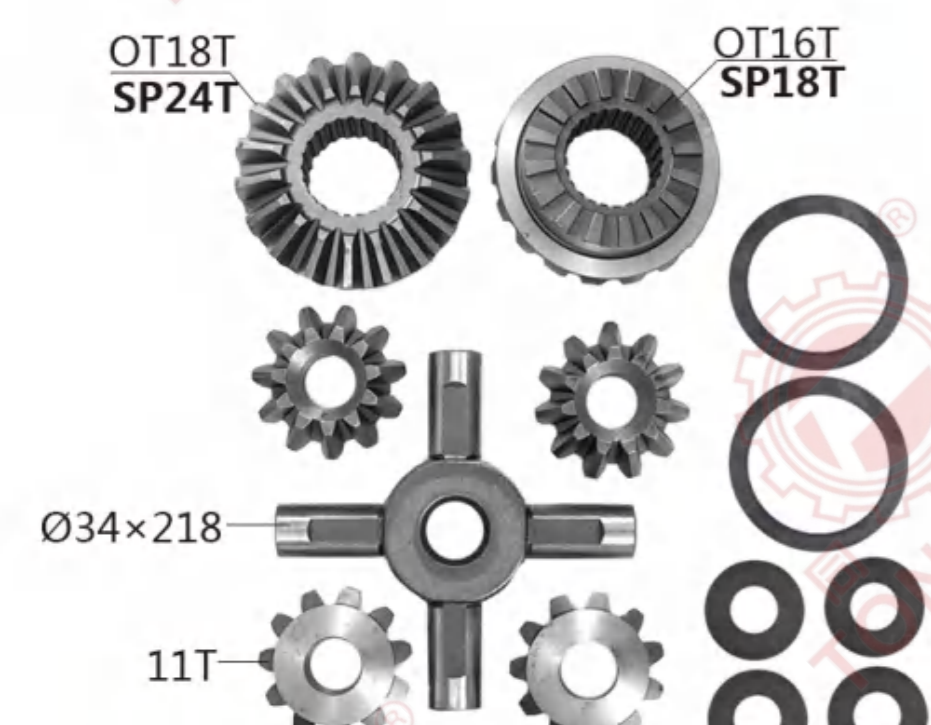
TXZ046 KIA T3500



TXZ MSA01 KIA NEW



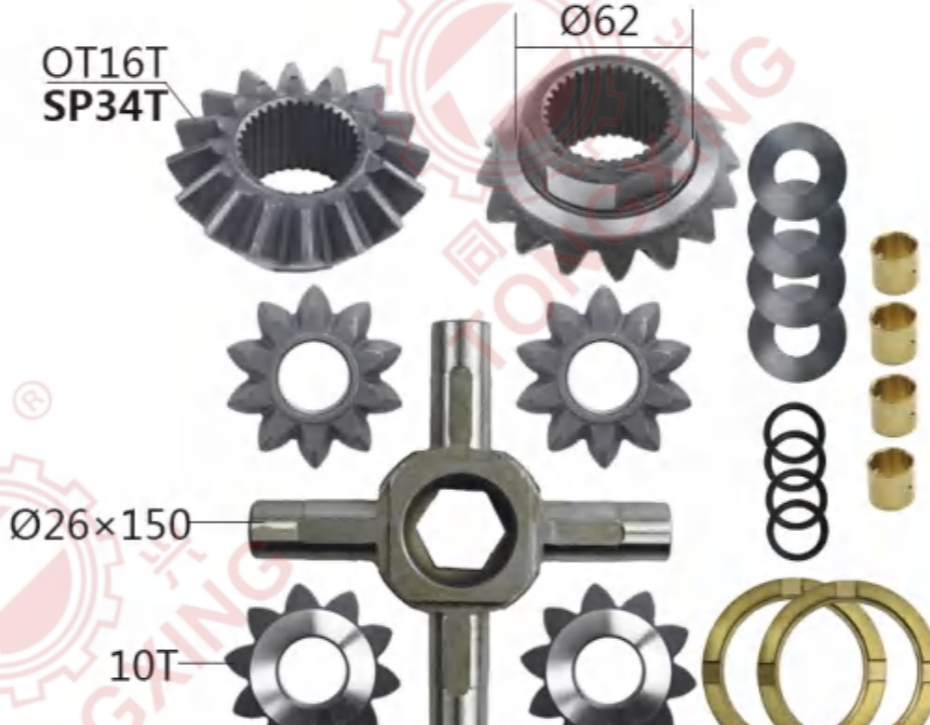
TXZ754 KIA J2



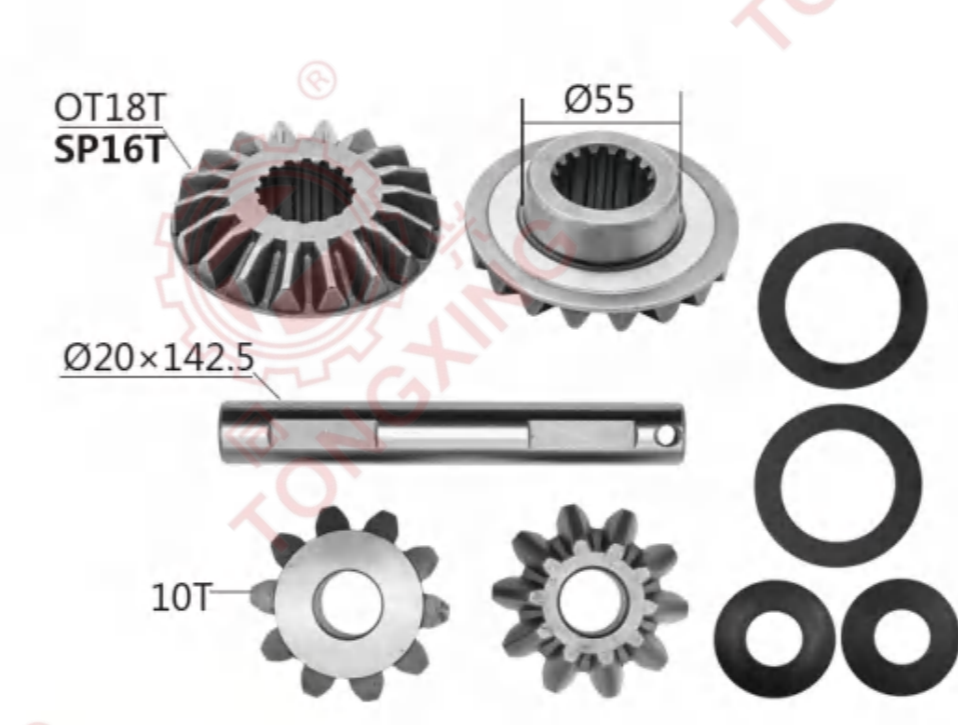
TXZ068 SCANIA



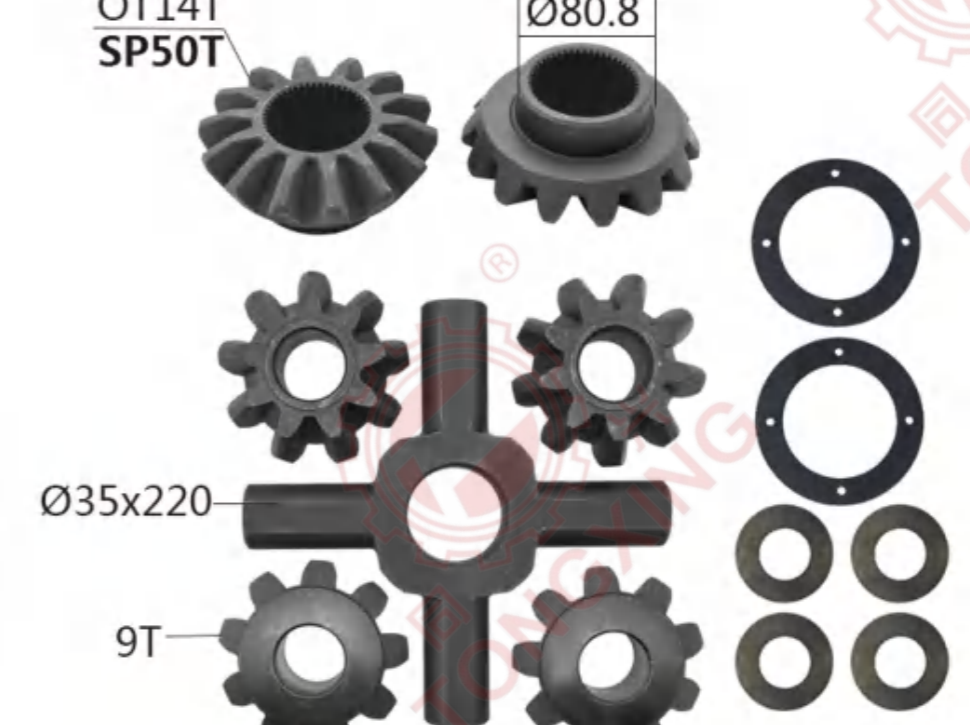
TXZ362 395.350.0040



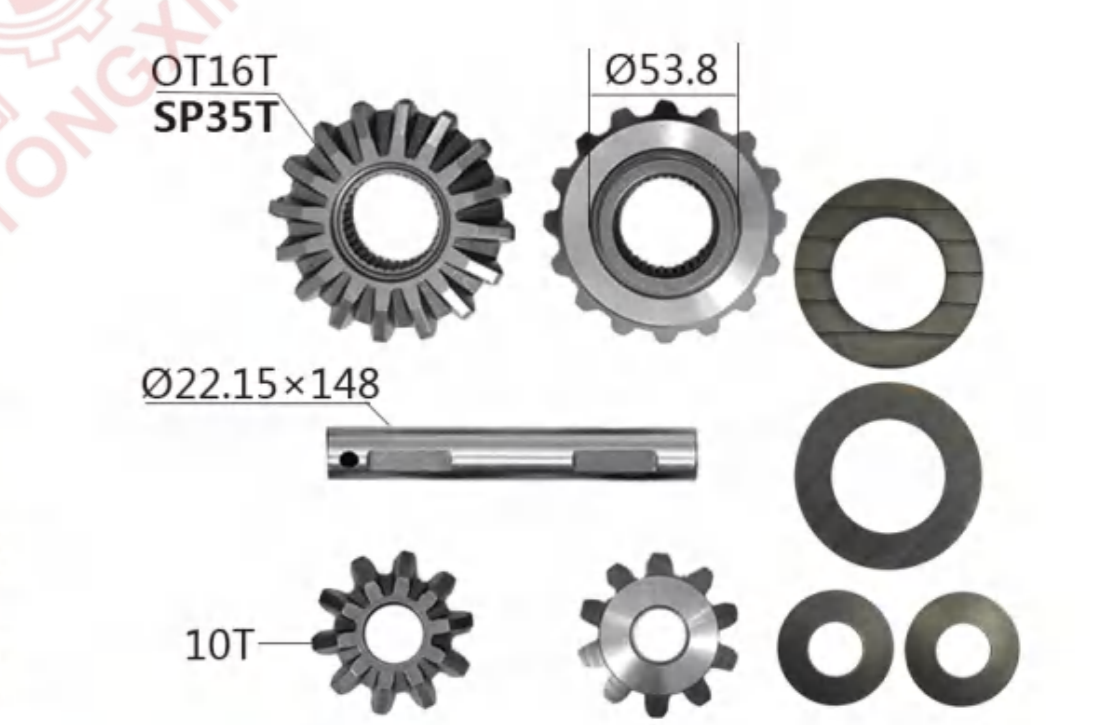
TXZ290 393.586.0035



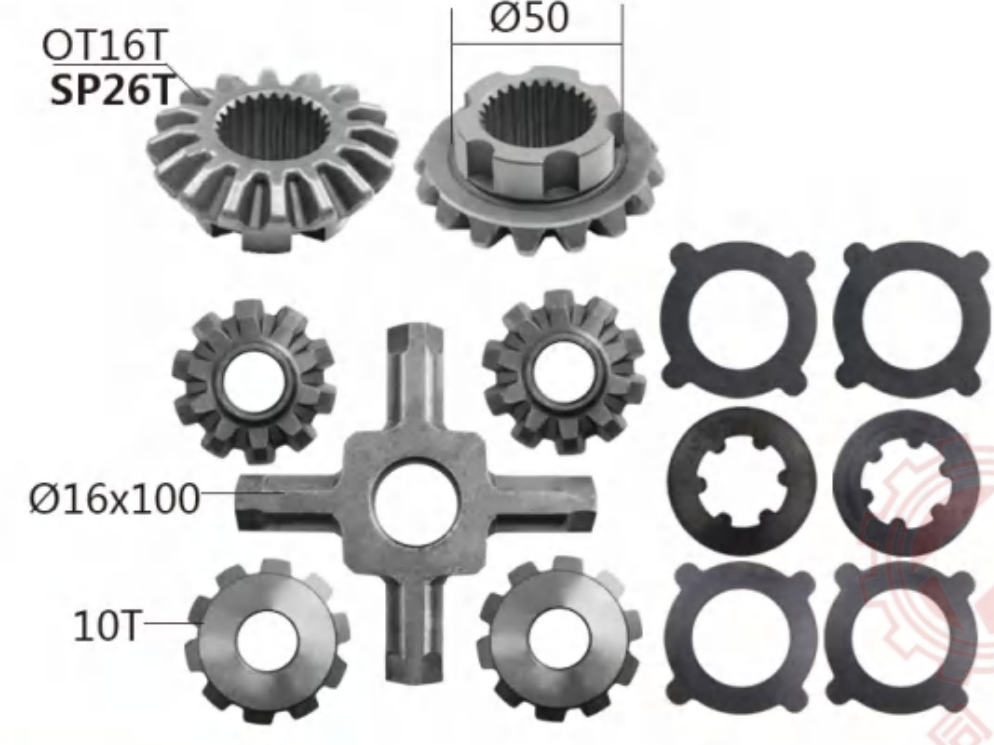
TXZ796 FUSO FB300



TXZ1044 VOLVO



TXZ372 FORD 706844X



TXZ722 TRITON 2.8 REAR



TXZ358 HI-LUX/GASOLINE



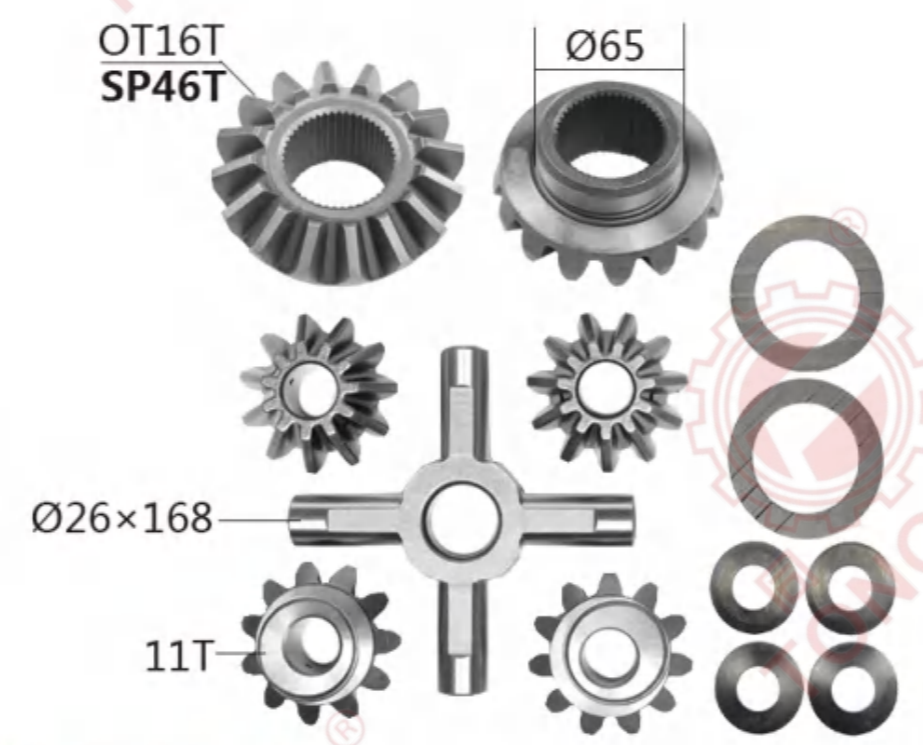
TXZ1082 FORD



TXZ900 KIA



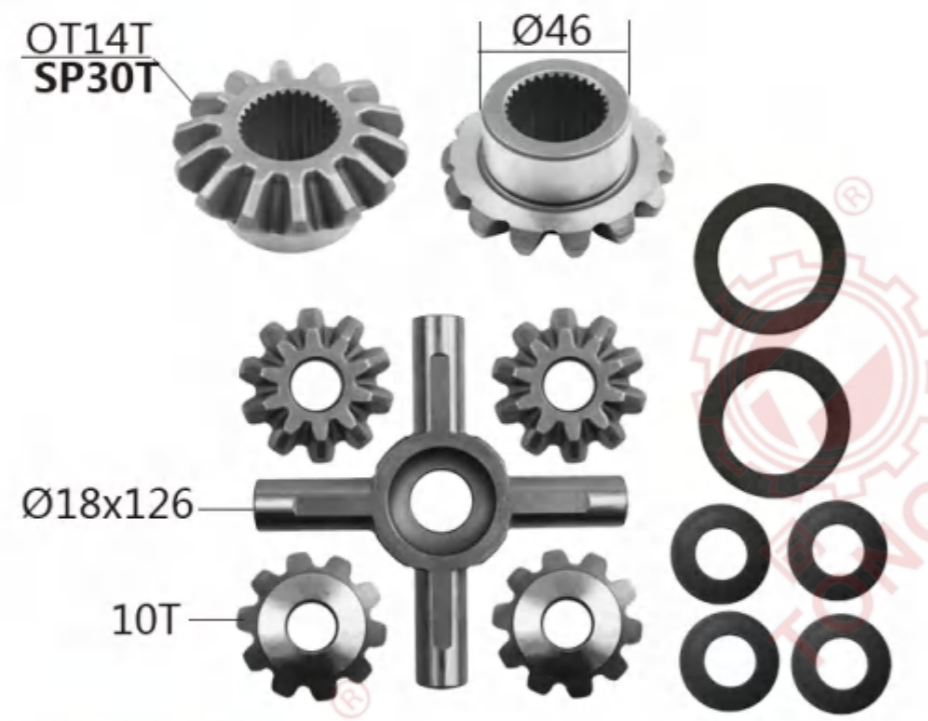
TXZ766 HI-LUX



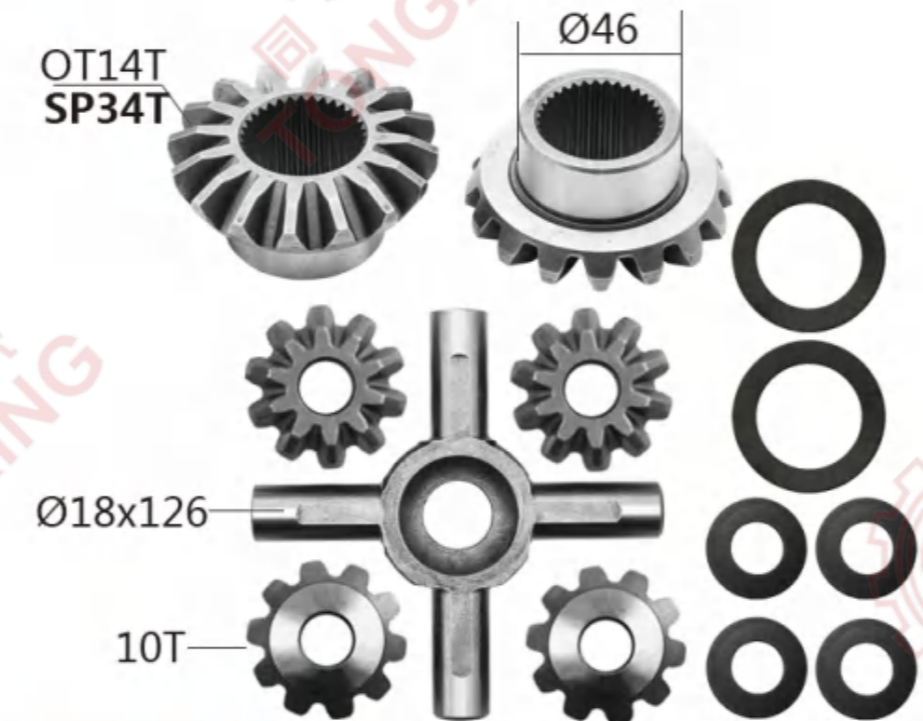
TXZ676 HYUNDAI 15TON NEW



TXZ902 ISUZU D-MAX



TXZ1096 KIA 1.25TON



TXZ1098 KIA 1.4TON



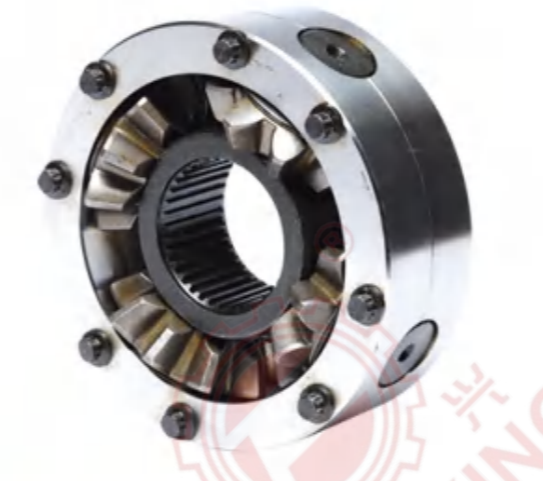
TXZ956 BA401178-X



TXZ974 BA401461-X



TXZ948 BA401295-X



TXX001-1 ISUZU 10PC1



TXX001 ISUZU



TXX002 NISSAN CW520



TXX003 BENZ



TXX005 DANA



TXX006 TOYOTA 4WD



TXX008 FUSO PS120



TXX009 FUSO PS100



TXX011-1 ISUZU 10PC-1



TXX011 ISUZU 10PC-1



TXX013-1 MITSUBISHI 8DC9



TXX013 MITSUBISHI 8DC9



TXX014 TRITON 2.8



TXX017-1 HINO(34T) VALIDVS



TXX017 HINO



TXX018-1 HINO(37T) FM2P-2SP



TXX018 HINO(37T) FM2P-2SP



TXX026 ISUZU 10PB-1



TXX027 HILUX DIESEL



TXX028 HILUX GASOLINE



TXX029 FUSO PS125



TXX030 HINO HT125/HT130



TXX031 BENZ



TXX032 NISSAN FE6



TXX076 TOYOTA 27SP



TXX078 TOYOTA 2F



TXX079 ACTROS 18*42



TXX082 DAIHATSU F70



TXX034 FUSO M91



TXX037 NAVARA 4531



TXX040 FUSO PS100



TXX041 LAND CRUISER



TXX085 HINO 500/700 KC-FS



TXX092 GRAND MAX



TXX093 HINO



TXX094 FUSO D8



TXX042 FORD RANGER REAR



TXX043 FUSO D10F



TXX047 NISSAN RD8



TXX048 NISSAN CW520



TXX095 HINO FF/3H/FG



TXX099 VOLVO



TXX100 VOLVO



TXX108 DANA D170



TXX050 DANA DSP40



TXX051 BP PRO



TXX052 FUSO D12R



TXX053 FORD M-BT-50



TXX109



TXX101 ISUZU D600



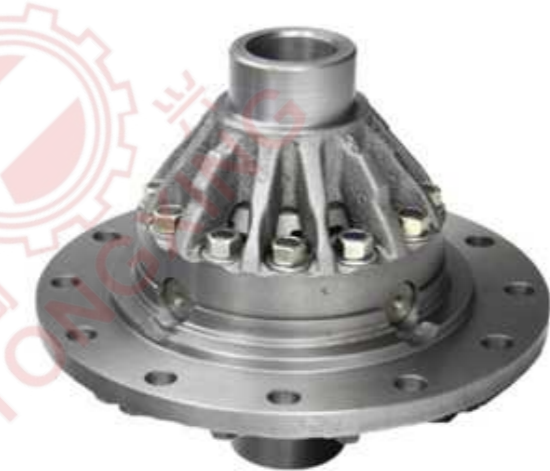
TXX113 FB300



TXX117



TXX054 ISUZU FTR



TXX055 ISUZU FBR 12HOLES



TXX059 FUSO D10R



TXX075 HILACE 30SP



TXX121



成熟品牌 值得信赖
Mature Brand Trustworthy.

TRANSMISSION GEAR

变速箱齿轮



福建省同兴汽车同步器有限公司
FUJIAN TONGXING AUTOMOBILE SYNCHRONIZERS CO.,LTD

ZF 16S112 16S221 SLDING SLEEVE

TX NO
00.116.003

O.E.M NO
1296 333 023



ZF16S112 16S190 SYNCHRONIZER CONE

TX NO
00.116.006

O.E.M NO
1295 304 278



ZF 16S130 16S221 SLDING SLEEVE

TX NO
00.151.028

O.E.M NO
1310 304 202



ZF 16S150 16S220 SYNCHRONIZER CONE

TX NO
00.151.006

O.E.M
1312 304 027



ZF 16S151 16S221 SLDING SLEEVE

TX NO
00.151.043

O.E.M NO
1310 304 175



ZF 16S151 GEAR 3RD SPEED 34 T.

TX NO
00.151.131

O.E.M NO
1315 304 027



ZF 16S151 16S221 SLDING SLEEVE

TX NO
00.151.251

O.E.M NO
1315 304 135



ZF 16S150 16S251 SYNCHRONIZER CONE

TX NO
00.151.468

O.E.M NO
1316 304 159



ZF 16S151 16S221 SLDING SLEEVE

TX NO
00.151.351

O.E.M NO
1315 304 136



ZF16S190 16S221 SYNCHRONIZER CONE

TX NO
00.151.513

O.E.M NO
1297 233 056



ZF16S151 16S221
SLIDING SLEEVE

TX NO
00.151.051

O.E.M NO
1316 304 078



ZF 16S151
GEAR 3RD SPEED 32 T.

TX NO
00.151.031

O.E.M NO
1315 304 028



ZF16K130 16K190
SLIDING SLEEVE

TX NO
00.116.028

O.E.M NO
1295 304 002



ZF 16K120 16K190
SLIDING SLEEVE

TX NO
00.116.027

O.E.M NO
1297 304 120
16K120
16K190



ZF 16S151
GEAR 4TH SPEED 39 T

TX NO
00.151.024

O.E.M NO
1315 303 046



ZF 16S151 16S221
SYNCHRONIZER CONE

TX NO
00.151.313

O.E.M
1316 233 015



ZF 16K160 16K190
SLIDING SLEEVE 1ST/2ND SP

TX NO
00.116.033

O.E.M NO
1297 304 119



ZF1269-5S 1292-5S
SLIDING SLEEVE

TX NO
00.110.212

O.E.M
1269 333 047



ZF 16S220 16S251
SYNCHRONIZER CONE

TX NO
00.151.368

O.E.M NO
1316 304 156



ZF16S141 16S221
RETARDER GEAR 59 T.

TX NO
00.151.613

O.E.M NO
1316 233 014



ZF 1269-5S 1292-5S
SLIDING SLEEVE

TX NO
00.110.218

O.E.M NO
1240 304 375



3RD/6TH SP/ ZF S6-65 S6-90
SLIDING SLEEVE

TX NO
00.168.053

O.E.M NO
1272 304 077



ZF 16S151
GEAR 4TH SPEED 30 T

TX NO
00.151.014

O.E.M NO
1315 304 017



ZF 8S151 16S151
SYNCHRONIZER CONE

TX NO
00.151.213

O.E.M NO
1296 333 050



ZF S6-80 16S190
SLIDING SLEEVE 1ST/2ND SP

TX NO
00.168.051

O.E.M NO
1257 304 020



ZF AK6-80 16S109
SLIDING SLEEVE

TX NO
00.168.046

O.E.M NO
1240 304 272



ZF 16S130 16S190
SYNCHRONIZER CONE

TX NO
00.116.213

O.E.M NO
1313 233 001



ZF 16S130
SYNCHRONIZER CONE

TX NO
00.112.213

O.E.M NO
1295 233 025



ZF 8S151 16S151
GEAR 4TH SPEED 30 T.

TX NO
00.151.114

O.E.M NO
1315 304 089



ZF 8S151 16S151
GEAR 3RD SPEED 26 T

TX NO
00.151.125

O.E.M NO
1315 303 004



MB G100-12 G260-16
SLIDING SLEEVE

TX NO
00.104.064
O.E.M NO
945 262 0323



MB G210-16 G260-16
SYNCHRONIZER CONE

TX NO
00.125.147
O.E.M NO
945 262 5434



MB G210-16 G260-16
SYNCHRONIZER CONE

TX NO
00.104.168
O.E.M NO
945 262 3634



MB G100-12 G260-16
SLIDING SLEEVE

TX NO
00.125.010
O.E.M
389 262 1723



MB G125-16 G200-16
SLIDING SLEEVE 3RD/4TH SP

TX NO
00.125.012
O.E.M NO
389 262 3023



MB G155-16 G260-16
SYNCHRONIZER CONE

TX NO
00.125.047
O.E.M NO
389 262 5034



MB G100-12 G260-16
SYNCHRONIZER CONE

TX NO
00.125.056
O.E.M NO
945 262 0434



MB G210-16 G240-16
DRIVER RING

TX NO
00.125.408
O.E.M NO
947 260 3036



MB G125-16 G240-16
SLIDING SLEEVE

TX NO
00.125.412
O.E.M NO
945 262 6923



MB G210-16 G240-16
SLIDING SLEEVE

TX NO
00.104.164
O.E.M NO
945 262 6823



NISSAN UD CW520 RF8 RB46
SYNCHRONIZER

TX NO
GWTXA004 T46 H59
O.E.M NO
32610-90361



MITSUBISHI 6D16T/5TON
SYNCHRONIZER

TX NO
GWTXA050 T42
O.E.M NO
ME627387



NISSAN UD CW430 CKB520
SYNCHRONIZER

TX NO
GWTXA009 T50*2G H63
O.E.M NO
32610-90465



MITSUBISHI FP419/8DE11
SYNCHRONIZER

TX NO
GWTXA056 T42
O.E.M
ME63622



HINO EF750
SYNCHRONIZER

TX NO
GWTXA049 50T
O.E.M NO
33302-2161



ISUZU
SYNCHRONIZER

TX NO
GWTXA055 38T
O.E.M NO
9-09924-415-0



MITSUBISHI 6D16T
SYNCHRONIZER

TX NO
GWTXA003 T40
O.E.M NO
ME663621
ME659946



ISUZU
SYNCHRONIZER

TX NO
TX475A 42T*32T
O.E.M NO
1-33260-095-1



MITSUBISHI 6D16T
SYNCHRONIZER

TX NO
GWTXA003 T40
O.E.M NO
ME659546



MITSUBISHI 6D16T/15TON
SLEEVE

TX NO
GWTXA096 48T
O.E.M NO
ME655553



MITSUBISHI 4D31/PS100
SLEEVE

TX NO
GWTXA118 39T

O.E.M NO
ME580512



MITSUBISHI
SYN HUB

TX NO
GWTXA118-1 39T*20T

O.E.M NO
ME600083



MITSUBISHI 4D31/PS100
SLEEVE

TX NO
GWTXA119 42T

O.E.M NO
ME601032



MITSUBISHI 4D31/PS100
SYN HUB

TX NO
GWTXA119-1 42T*32T

O.E.M NO
ME600081



MITSUBISHI PS120
REV IDLER

TX NO
GWTXA122 36T

O.E.M NO
ME601156



MITSUBISHI 4D31/PS100
GEAR

TX NO
GWTXA123 46T*42T

O.E.M NO
ME603232



MITSUBISHI PS120 4D31 PS100
M/S 1ST

TX NO
GWTXA124 46T

O.E.M NO
ME603226



MITSUBISHI PS120
REV IGEAR

TX NO
GWTXA125 46T

O.E.M NO
ME605182



MITSUBISHI PS120 4D31 PS100
M/S 2ND

TX NO
GWTXA126 39T

O.E.M
ME603228



MITSUBISHI PS120 4D31 PS100
M-3RD

TX NO
GWTXA127

O.E.M NO
ME603229



MITSUBISHI 8DC9 FV413 6D16T
DRIVE GEAR

TX NO
GWTXA051 29T

O.E.M NO
MC806935



HINO EF750
DRIVE GEAR

TX NO
GWTXA037

O.E.M NO
41252-10700



MITSUBISHI 8DC9 FV413 6D16T
DRIVEN GEAR

TX NO
GWTXA051-2 29T

O.E.M NO
17220-54600



HINO EF750
DRIVEN GEAR

TX NO
GWTXA037

O.E.M NO
41254-1050



NISSAN
DRIVE GEAR

TX NO
435

O.E.M NO
38687-90000



HINO EF750
IDLE GEAR

TX NO
GWTXA037

O.E.M
41253-1030



NISSAN
DRIVEN GEAR

TX NO
435

O.E.M NO
38686-90001



MITSUBISHI
DRIVE GEAR

TX NO
TXA265-1 33T

O.E.M NO



NISSAN
IDLE GEAR

TX NO
435

O.E.M NO
38692-90000



MITSUBISHI
DRIVEN GEAR

TX NO
TXA265-2 33T

O.E.M NO



MITSUBISHI 4D30 4D31 RING

TX NO
GWTXA023 42T


O.E.M NO
ME601845



MITSUBISHI 4D30 4D31 RING

TX NO
GWTXA024 39T

O.E.M NO
ME601295



MITSUBISHI 6D22 RING

TX NO
GWTXA021 30T

O.E.M NO
ME657494



MITSUBISHI 3RD GEAR

TX NO
135

O.E.M
ME803047



HT130 NO4C RE50 SLEEVE

TX NO
GWTXA506-1

O.E.M NO
33364-37060



HT130 NO4C RE50 HUB

TX NO
GWTXA506-2

O.E.M NO
33362-37040



HT130 NO4C RE50 SLEEVE

TX NO
GWTXA507-1

O.E.M NO
33363-37090



HT130 NO4C RE50 HUB

TX NO
GWTXA507-2

O.E.M NO
33361-37070



HT130 NO4C RE50 SLEEVE

TX NO
GWTXA508-1

O.E.M NO
33395-37040



HT130 NO4C RE50 HUB

TX NO
GWTXA508-2

O.E.M NO
33393-37060



FUSO PS120

D3

6:37
6:40
7:37
7:40
8:39



FUSO PS125

D4

6:37
6:40
7:38
8:37
8:39



FUSO PS100

4D30

6:37
6:40
7:37
7:40
8:39



ISUZU NQR

NQR

6:41
7:39
7:43
9:43
10:41



ISUZU NPR

NPR

6:39
6:41
7:39
7:41
7:43



FJ CRUISER

41110-35B60

11:41



HIACE

41110-26440

10:43



HILUX

41110-0K250

11:43



LAND CRUISER

41110-60830

10:43



PRADO

41110-3D460

9:41

